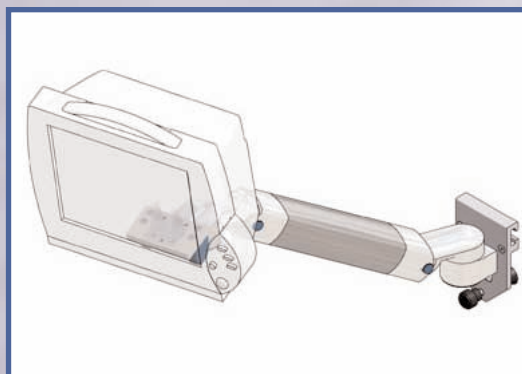




Workplace Wellness



Philips IntelliVue Monitor Mounting Solutions



safety, health
and hygiene

www.ergonoflex.com

Medical Philips IntelliVue Monitor Mounts

Solutions are available for sterile environments and general use within non-clinical areas such as surgeries, waiting rooms etc.

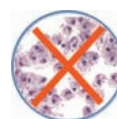
The ErgonoFlex range of products are all manufactured to exacting standards and offer some of the longest warranties for lcd monitor mounting solutions available. Primarily designed for the medical industry including hospitals and dental practices, all ErgonoFlex products are manufactured with durability, robustness and ease of use in mind. For these reasons, many of the products find their way into professional installations of all kinds - from industrial to office.

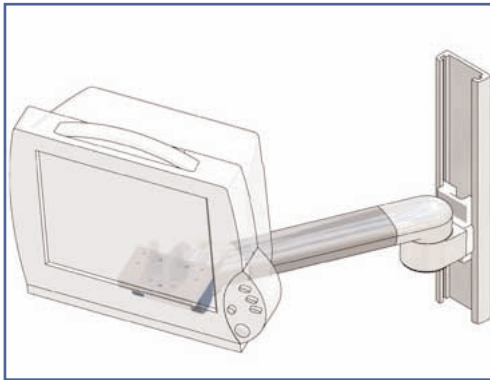
All standard mounting solutions including desk, wall, wall track, ceiling and pole mounting methods are represented within the ErgonoFlex range; More specialised mounting solutions for lcd monitors with ergonomic keyboard support and keyboard only supports are also available.

Discover inside this catalogue a new way to mount your Philips Medical Application Hard ware (IntelliVue Series) with safety, health and hygiene comfort without compromise.

Index

- * Philips IntelliVue MP Series Wall Mount
(page 2 to page 4)
- * Philips IntelliVue MP Series European Rail Mount
(page 5 to page 9)
- * Philips IntelliVue MP Series Pole Mount
(page 10 to page 14)





Monitor Mount Philips
IntelliVue Series
Load Capacity: 14 Kg
Warranty: 2 Years

Medical Articulate Monitor Pivot Arm Wall Mount

for Wall Mount

support arm with swivel point at the wall plate

For Philips Intellivue MP 40/50/60/70

Tilt and Swivel Function for the Philips monitor

arm length 240 mm

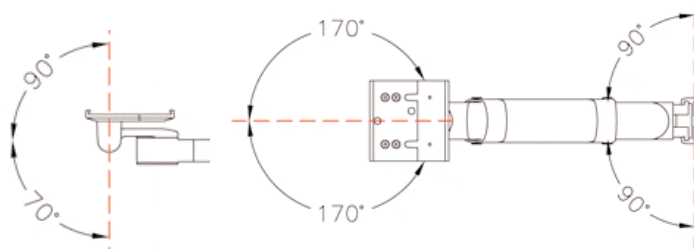
Option: Wall Channel length 480 mm, including channel cover

Material/ surface: aluminium anodized aluminium die-cast parts, powder-coated, antibacterial plastic parts PA6.6

Oxidative atmospheric pressure plasma was utilized to activate surface of PA 6,6 fabrics followed by graft copolymerization of glycidyl methacrylate (GMA) and further reacted with triethylene tetramine (TETA), quaternary ammonium chitosan (HTCC) or β -cyclodextrin (β -CD).

The inner CD cavity was complexed with some insecticidal perfumes. Modified PA6,6 fabrics were analyzed by differential scanning calorimetry, thermogravimetric analysis, Fourier transform infrared spectroscopy and scanning electron microscopy.

Antimicrobial activity and insect repelling assay were conducted and showed efficient antimicrobial and insect repelling properties.



**safety, health
and hygiene**

Workplace Wellness

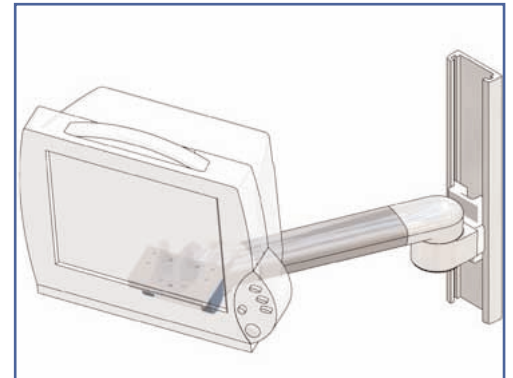
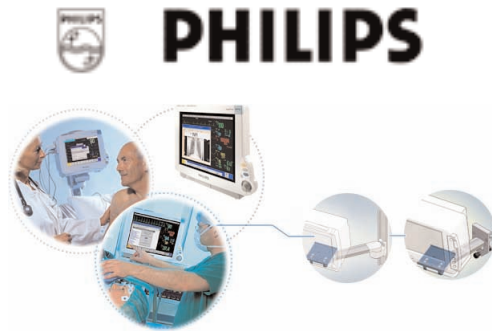
Part Number
EGF 65224PH4

www.ergonoflex.com

Product Data Sheet



Monitor Mount Philips
IntelliVue Series
Load Capacity: 14 Kg
Warranty: 2 Years



Medical Articulate Monitor Pivot Arm Wall Mount

for Wall Mount

support arm with swivel point at the wall plate

For Philips Intellivue MP 40/50/60/70

Tilt and Swivel Function for the Philips monitor

arm length 300 mm

Option: Wall Channel length 480 mm, including channel cover

Material/ surface: aluminium anodized aluminium die-cast parts, powder-coated, antibacterial plastic parts PA6.6

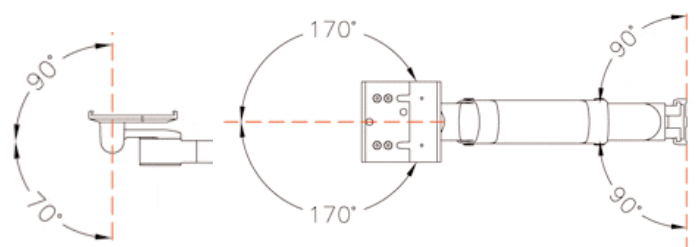
Oxidative atmospheric pressure plasma was utilized to activate surface of PA 6,6 fabrics followed by graft copolymerization of glycidyl methacrylate (GMA) and further reacted with triethylene tetramine (TETA), quaternary ammonium chitosan (HTCC) or β -cyclodextrin (β -CD).

The inner CD cavity was complexed with some insecticidal perfumes. Modified PA6,6 fabrics were analyzed by differential scanning calorimetry, thermogravimetric analysis, Fourier transform infrared spectroscopy and scanning electron microscopy.

Antimicrobial activity and insect repelling assay were conducted and showed efficient antimicrobial and insect repelling properties.



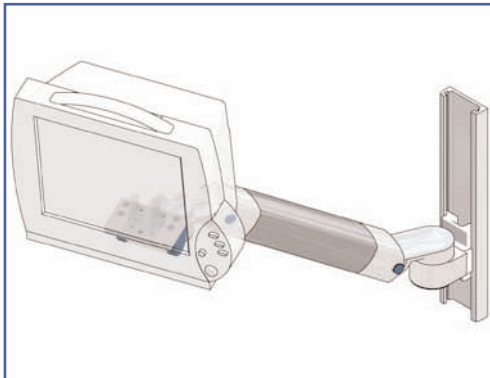
**safety, health
and hygiene**



Workplace Wellness

Part Number
EGF 65230PH4

www.ergonoflex.com



Monitor Mount Philips
IntelliVue Series
Load Capacity: 14 Kg
Warranty: 2 Years

Medical Articulate Monitor Lift Arm Wall Mount

for Wall Mount

support arm with swivel point at the Wall plate

For Philips Intellivue MP 40/50/60/70

Vertical and Horizontal swivel function parallel linkage for a constant viewing angle monitor adaptation with tilt and swivel function - Variable Height Arm

To mount to wall channel or existing wall channel support..

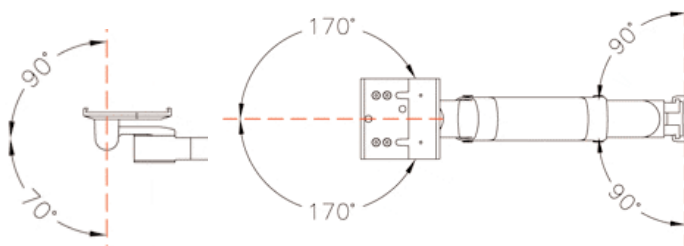
arm length 300 mm

Material/ surface: aluminium anodized aluminium die-cast parts, powder-coated, antibacterial plastic parts PA6.6

Oxidative atmospheric pressure plasma was utilized to activate surface of PA 6,6 fabrics followed by graft copolymerization of glycidyl methacrylate (GMA) and further reacted with triethylene tetramine (TETA), quaternary ammonium chitosan (HTCC) or β -cyclodextrin (β -CD).

The inner CD cavity was complexed with some insecticidal perfumes. Modified PA6,6 fabrics were analyzed by differential scanning calorimetry, thermogravimetric analysis, Fourier transform infrared spectroscopy and scanning electron microscopy.

Antimicrobial activity and insect repelling assay were conducted and showed efficient antimicrobial and insect repelling properties.



Workplace Wellness

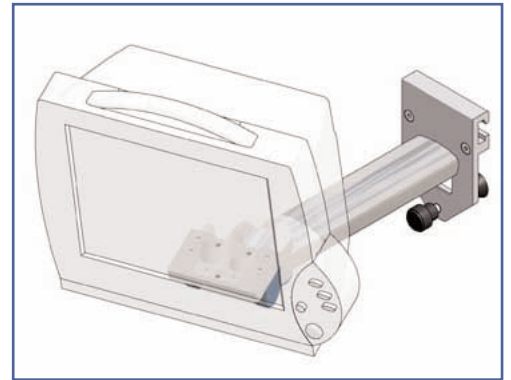
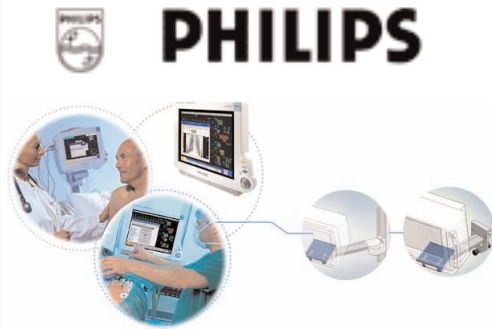
Part Number
EGF 65430PH4

www.ergonoflex.com

Product Data Sheet



Monitor Mount Philips
IntelliVue Series
Load Capacity: 14 Kg
Warranty: 2 Years



Medical Articulate Monitor Arm European Rail Mount Standard

for DIN rails 10 x 25 mm

support arm with no swivel point at the rail plate

For Philips Intellivue MP 40/50/60/70

Tilt and Swivel Function for the Philips monitor

arm length 240 mm

Material/ surface: aluminium anodized aluminium die-cast parts, powder-coated, antibacterial plastic parts PA6.6

Oxidative atmospheric pressure plasma was utilized to activate surface of PA 6,6 fabrics followed by graft copolymerization of glycidyl methacrylate (GMA) and further reacted with triethylene tetramine (TETA), quaternary ammonium chitosan (HTCC) or β -cyclodextrin (β -CD).

The inner CD cavity was complexed with some insecticidal perfumes. Modified PA6,6 fabrics were analyzed by differential scanning calorimetry, thermogravimetric analysis, Fourier transform infrared spectroscopy and scanning electron microscopy.

Antimicrobial activity and insect repelling assay were conducted and showed efficient antimicrobial and insect repelling properties.

Part Number
EGF 65124PH2

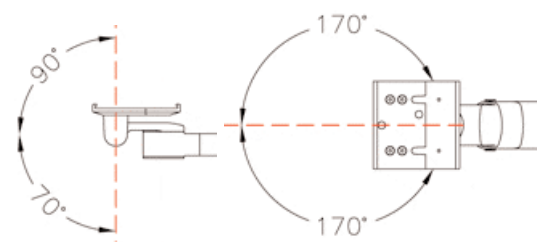
www.ergonoflex.com

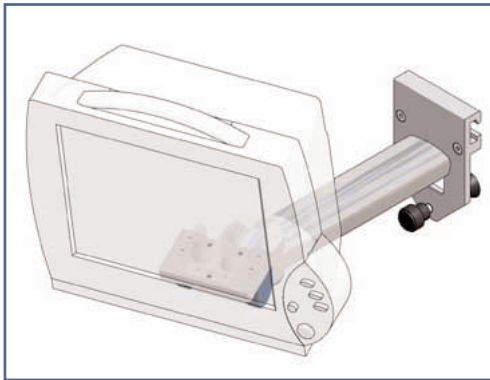
Page 5



CE
CERTIFICATION

**safety, health
and hygiene**





Product Data Sheet

Monitor Mount Philips
IntelliVue Series
Load Capacity: 14 Kg
Warranty: 2 Years

Workplace Wellness

Medical Articulate Monitor Arm European Rail Mount Standard

for DIN rails 10 x 25 mm

support arm with no swivel point at the rail plate

For Philips Intellivue MP 40/50/60/70

Tilt and Swivel Function for the Philips monitor

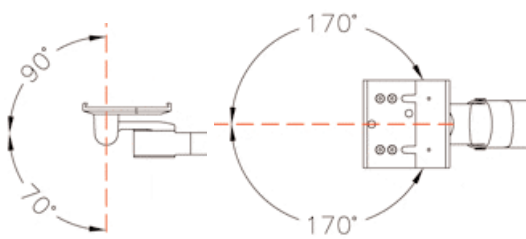
arm length 300 mm

Material/ surface: aluminium anodized aluminium die-cast parts, powder-coated, antibacterial plastic parts PA6.6

Oxidative atmospheric pressure plasma was utilized to activate surface of PA 6,6 fabrics followed by graft copolymerization of glycidyl methacrylate (GMA) and further reacted with triethylene tetramine (TETA), quaternary ammonium chitosan (HTCC) or β -cyclodextrin (β -CD).

The inner CD cavity was complexed with some insecticidal perfumes. Modified PA6,6 fabrics were analyzed by differential scanning calorimetry, thermogravimetric analysis, Fourier transform infrared spectroscopy and scanning electron microscopy.

Antimicrobial activity and insect repelling assay were conducted and showed efficient antimicrobial and insect repelling properties.



safety, health
and hygiene

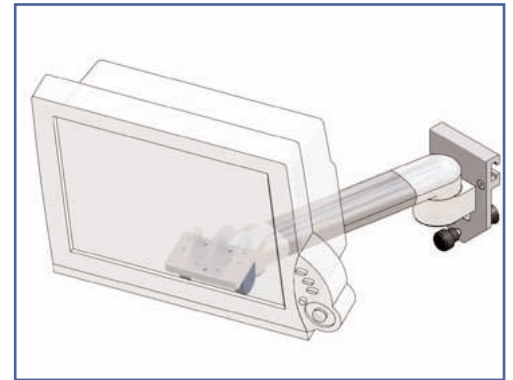
Part Number
EGF 65130PH2

www.ergonoflex.com

Product Data Sheet



Monitor Mount Philips
IntelliVue Series
Load Capacity: 14 Kg
Warranty: 2 Years



Medical Articulate Monitor Pivot Arm European Rail Mount

for DIN rails 10 x 25 mm

support arm with swivel point at the rail plate

For Philips Intellivue MP 40/50/60/70

Tilt and Swivel Function for the Philips monitor

arm length 240 mm

Material/ surface: aluminium anodized aluminium die-cast parts, powder-coated, antibacterial plastic parts PA6.6

Oxidative atmospheric pressure plasma was utilized to activate surface of PA 6,6 fabrics followed by graft copolymerization of glycidyl methacrylate (GMA) and further reacted with triethylene tetramine (TETA), quaternary ammonium chitosan (HTCC) or β -cyclodextrin (β -CD).

The inner CD cavity was complexed with some insecticidal perfumes. Modified PA6,6 fabrics were analyzed by differential scanning calorimetry, thermogravimetric analysis, Fourier transform infrared spectroscopy and scanning electron microscopy.

Antimicrobial activity and insect repelling assay were conducted and showed efficient antimicrobial and insect repelling properties.

Part Number
EGF 65224PH2

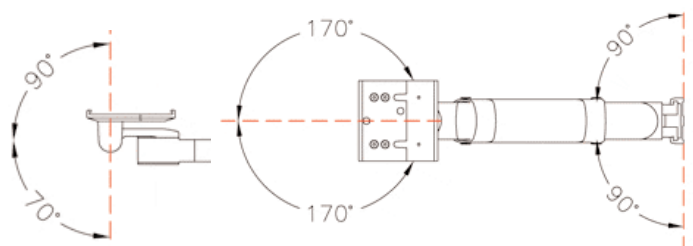
www.ergonoflex.com

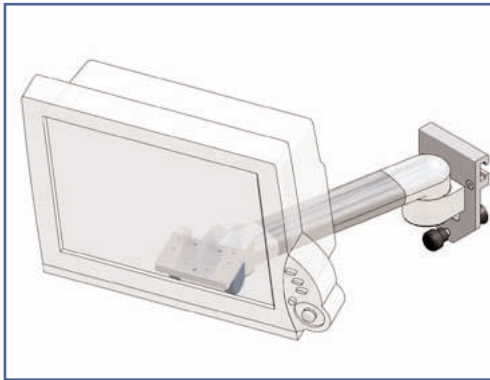
Page 7



CE
CERTIFICATION

**safety, health
and hygiene**





Monitor Mount Philips
IntelliVue Series
Load Capacity: 14 Kg
Warranty: 2 Years

Medical Articulate Monitor Pivot Arm European Rail Mount

for DIN rails 10 x 25 mm

support arm with swivel point at the rail plate

For Philips Intellivue MP 40/50/60/70

Tilt and Swivel Function for the Philips monitor

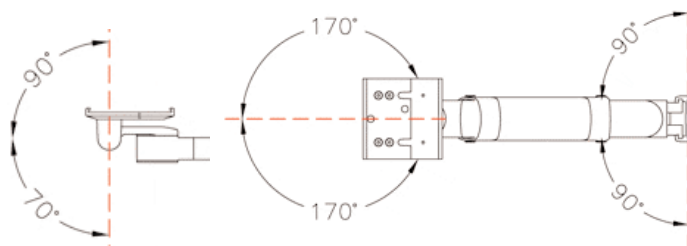
arm length 300 mm

Material/ surface: aluminium anodized aluminium die-cast parts, powder-coated, antibacterial plastic parts PA6.6

Oxidative atmospheric pressure plasma was utilized to activate surface of PA 6,6 fabrics followed by graft copolymerization of glycidyl methacrylate (GMA) and further reacted with triethylene tetramine (TETA), quaternary ammonium chitosan (HTCC) or β -cyclodextrin (β -CD).

The inner CD cavity was complexed with some insecticidal perfumes. Modified PA6,6 fabrics were analyzed by differential scanning calorimetry, thermogravimetric analysis, Fourier transform infrared spectroscopy and scanning electron microscopy.

Antimicrobial activity and insect repelling assay were conducted and showed efficient antimicrobial and insect repelling properties.



Workplace Wellness

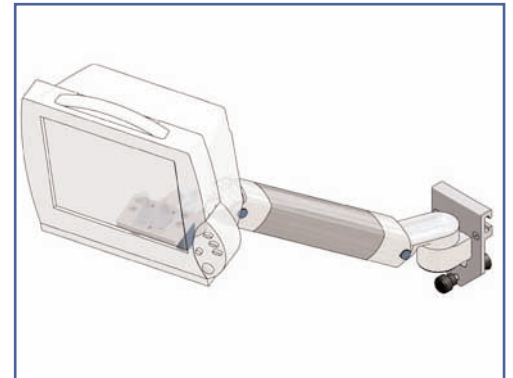
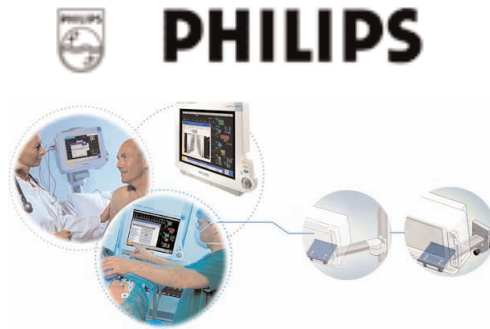
Part Number
EGF 65230PH2

www.ergonoflex.com

Product Data Sheet



Monitor Mount Philips
IntelliVue Series
Load Capacity: 14 Kg
Warranty: 2 Years



Medical Articulate Monitor Lift Arm European Rail Mount

for DIN rails 10 x 25 mm

support arm with swivel point at the rail plate

For Philips Intellivue MP 40/50/60/70

Vertical and Horizontal swivel function parallel linkage for a constant viewing angle monitor adaptation with tilt and swivel function - Variable Height Arm.

arm length 300 mm

Material/ surface: aluminium anodized aluminium die-cast parts, powder-coated, antibacterial plastic parts PA6.6

Oxidative atmospheric pressure plasma was utilized to activate surface of PA 6,6 fabrics followed by graft copolymerization of glycidyl methacrylate (GMA) and further reacted with triethylene tetramine (TETA), quaternary ammonium chitosan (HTCC) or β -cyclodextrin (β -CD).

The inner CD cavity was complexed with some insecticidal perfumes. Modified PA6,6 fabrics were analyzed by differential scanning calorimetry, thermogravimetric analysis, Fourier transform infrared spectroscopy and scanning electron microscopy.

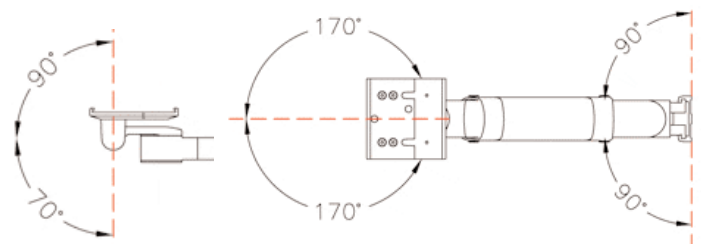
Antimicrobial activity and insect repelling assay were conducted and showed efficient antimicrobial and insect repelling properties.

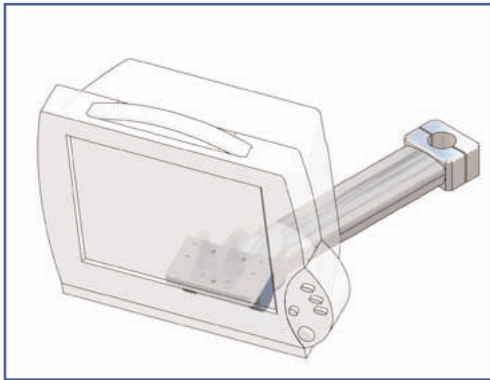
Workplace Wellness

Part Number
EGF 65430PH2

www.ergonoflex.com

Page 9





Monitor Mount Philips
IntelliVue Series
Load Capacity: 14 Kg
Warranty: 2 Years

Medical Articulate Monitor Arm Pole Mount Standard

to attach to poles Diam 25mm/38mm

For Philips Intellivue MP 40/50/60/70

Tilt and Swivel Function for the Philips monitor

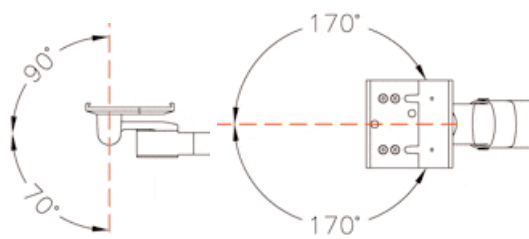
arm length 240 mm

Material/ surface: aluminium anodized aluminium die-cast parts, powder-coated, antibacterial plastic parts PA6.6

Oxidative atmospheric pressure plasma was utilized to activate surface of PA 6,6 fabrics followed by graft copolymerization of glycidyl methacrylate (GMA) and further reacted with triethylene tetramine (TETA), quaternary ammonium chitosan (HTCC) or β -cyclodextrin (β -CD).

The inner CD cavity was complexed with some insecticidal perfumes. Modified PA6,6 fabrics were analyzed by differential scanning calorimetry, thermogravimetric analysis, Fourier transform infrared spectroscopy and scanning electron microscopy.

Antimicrobial activity and insect repelling assay were conducted and showed efficient antimicrobial and insect repelling properties.



Workplace Wellness

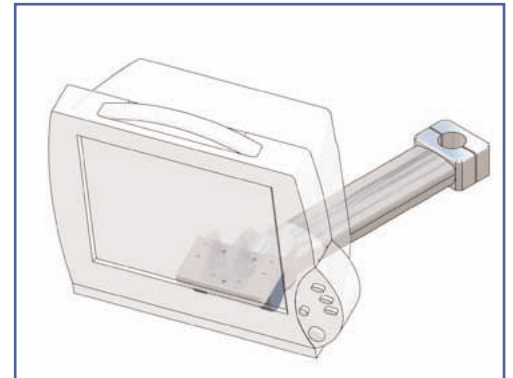
Part Number
EGF 65124PH1

www.ergonoflex.com

Product Data Sheet



Monitor Mount Philips
IntelliVue Series
Load Capacity: 14 Kg
Warranty: 2 Years



Medical Articulate Monitor Arm Pole Mount Standard

to attach to poles Diam 25mm/38mm

For Philips Intellivue MP 40/50/60/70

Tilt and Swivel Function for the Philips monitor

arm length 300 mm

Material/ surface: aluminium anodized aluminium die-cast parts, powder-coated, antibacterial plastic parts PA6.6

Oxidative atmospheric pressure plasma was utilized to activate surface of PA 6,6 fabrics followed by graft copolymerization of glycidyl methacrylate (GMA) and further reacted with triethylene tetramine (TETA), quaternary ammonium chitosan (HTCC) or β -cyclodextrin (β -CD).

The inner CD cavity was complexed with some insecticidal perfumes. Modified PA6,6 fabrics were analyzed by differential scanning calorimetry, thermogravimetric analysis, Fourier transform infrared spectroscopy and scanning electron microscopy.

Antimicrobial activity and insect repelling assay were conducted and showed efficient antimicrobial and insect repelling properties.

Workplace Wellness

Part Number
EGF 65130PH1

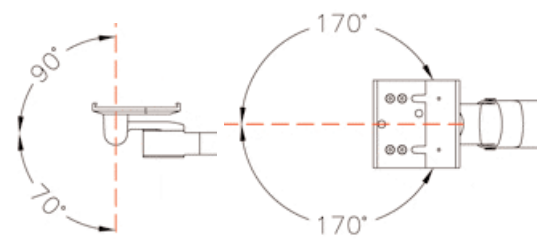
www.ergonoflex.com

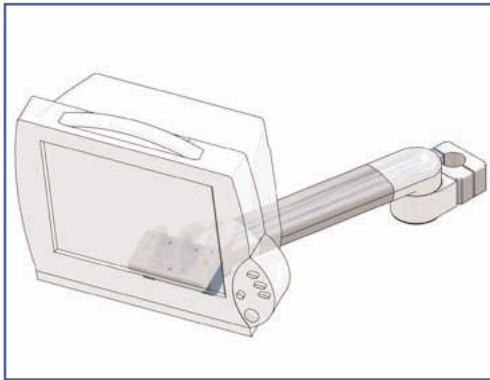
Page 11



CE
CERTIFICATION

safety, health
and hygiene





Monitor Mount Philips
IntelliVue Series
Load Capacity: 14 Kg
Warranty: 2 Years

Medical Articulate Monitor Pivot Arm Pole Mount

To attach to poles Diam 25/38 mm

support arm with swivel point at the pole

For Philips Intellivue MP 40/50/60/70

Tilt and Swivel Function for the Philips monitor

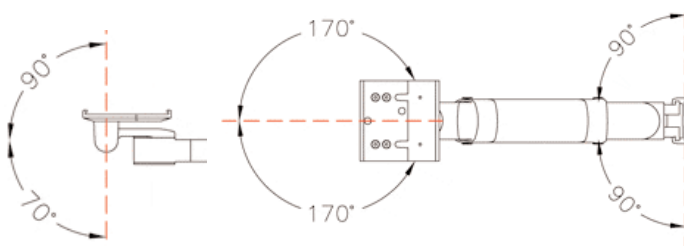
arm length 240 mm

Material/ surface: aluminium anodized aluminium die-cast parts, powder-coated, antibacterial plastic parts PA6.6

Oxidative atmospheric pressure plasma was utilized to activate surface of PA 6,6 fabrics followed by graft copolymerization of glycidyl methacrylate (GMA) and further reacted with triethylene tetramine (TETA), quaternary ammonium chitosan (HTCC) or β -cyclodextrin (β -CD).

The inner CD cavity was complexed with some insecticidal perfumes. Modified PA6,6 fabrics were analyzed by differential scanning calorimetry, thermogravimetric analysis, Fourier transform infrared spectroscopy and scanning electron microscopy.

Antimicrobial activity and insect repelling assay were conducted and showed efficient antimicrobial and insect repelling properties.



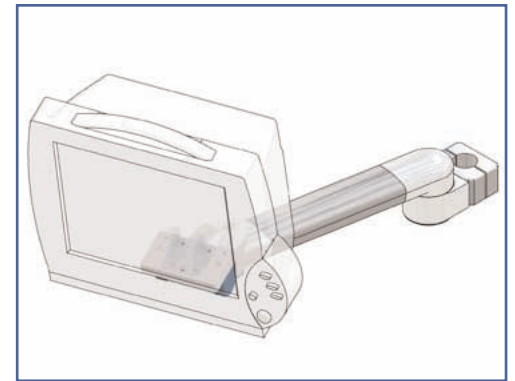
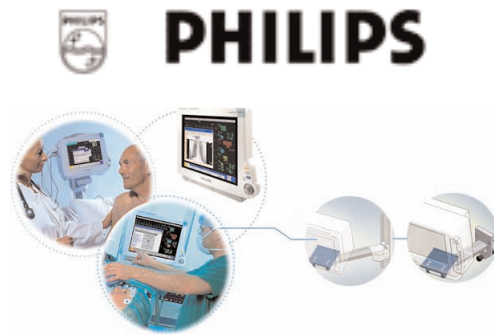
Workplace Wellness

Part Number
EGF 65224PH1

www.ergonoflex.com

Product Data Sheet

Monitor Mount Philips
IntelliVue Series
Load Capacity: 14 Kg
Warranty: 2 Years



Medical Articulate Monitor Pivot Arm Pole Mount

To attach to poles Diam 25/38 mm

support arm with swivel point at the pole

For Philips Intellivue MP 40/50/60/70

Tilt and Swivel Function for the Philips monitor

arm length 300 mm

Material/ surface: aluminium anodized aluminium die-cast parts, powder-coated, antibacterial plastic parts PA6.6

Oxidative atmospheric pressure plasma was utilized to activate surface of PA 6,6 fabrics followed by graft copolymerization of glycidyl methacrylate (GMA) and further reacted with triethylene tetramine (TETA), quaternary ammonium chitosan (HTCC) or β -cyclodextrin (β -CD).

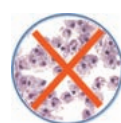
The inner CD cavity was complexed with some insecticidal perfumes. Modified PA6,6 fabrics were analyzed by differential scanning calorimetry, thermogravimetric analysis, Fourier transform infrared spectroscopy and scanning electron microscopy.

Antimicrobial activity and insect repelling assay were conducted and showed efficient antimicrobial and insect repelling properties.

Part Number
EGF 65230PH1

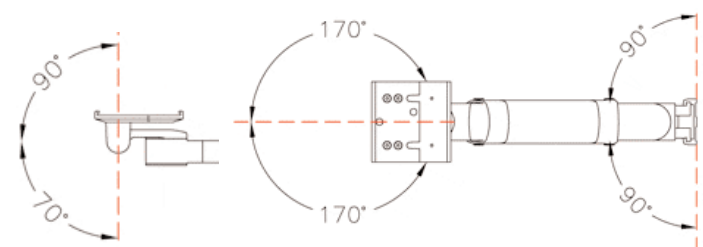
www.ergonoflex.com

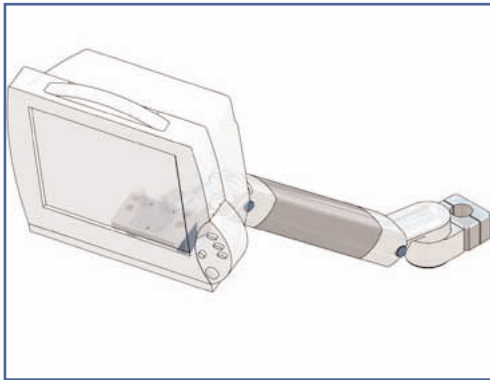
Page 13



CE
CERTIFICATION

**safety, health
and hygiene**





Monitor Mount Philips
IntelliVue Series
Load Capacity: 14 Kg
Warranty: 2 Years

Medical Articulate Monitor Lift Arm Pole Mount

To Attch pole Diam25/38 mm

support arm with swivel point at the pole

For Philips Intellivue MP 40/50/60/70

Vertical and Horizontal swivel function parallel linkagefor a constant viewing angle monitor adaptation with tilt and swivel function - Varaliable Height Arm.

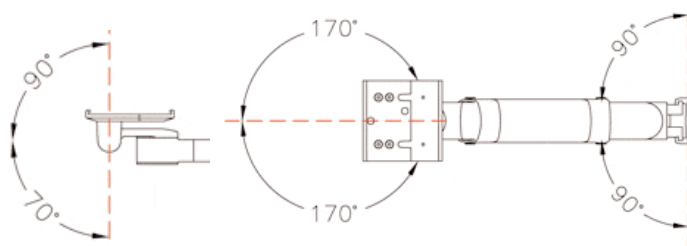
arm length 300 mm

Material/ surface: aluminium anodized aluminium die-cast parts, powder-coated, antibacterial plastic parts PA6.6

Oxidative atmospheric pressure plasma was utilized to activate surface of PA 6,6 fabrics followed by graft copolymerization of glycidyl methacrylate (GMA) and further reacted with triethylene tetramine (TETA), quaternary ammonium chitosan (HTCC) or β -cyclodextrin (β -CD).

The inner CD cavity was complexed with some insecticidal perfumes. Modified PA6,6 fabrics were analyzed by differential scanning calorimetry, thermogravimetric analysis, Fourier transform infrared spectroscopy and scanning electron microscopy.

Antimicrobial activity and insect repelling assay were conducted and showed efficient antimicrobial and insect repelling properties.



Workplace Wellness

Part Number
EGF 65430PH1

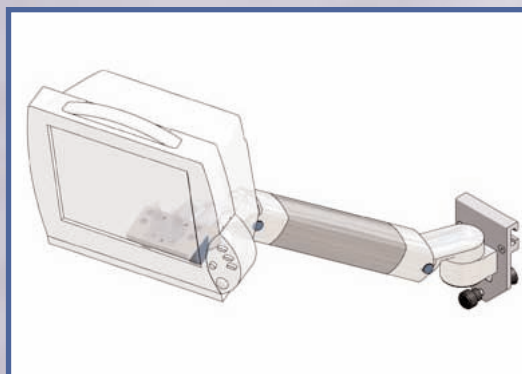
www.ergonoflex.com



Workplace Wellness



Philips IntelliVue Monitor Mounting Solutions



safety, health
and hygiene

www.ergonoflex.com