



Workplace Wellness



CPU Server Box Protection Solutions



www.ergonoflex.com



CPU Server Box Protection Solutions

The security of computers and the data they contain is becoming ever more important. Which also includes their physical security. Network servers and PCs can do their work in safety when they are neatly stored. The lockable cabinets have an internal acoustic foam lining. Furthermore, they offer a feeling of security, reduce noise levels and create additional workspace. They are also suitable for dusty or industrial environments, as replaceable dust filters clean the intake air. Adequate ventilation is guaranteed by one or two fans. You can also fit your CPU in any of the offered alternatives, that suit your requirements.

Index

- * CPU Server Box Economy
(page 3 to page 6)
- * CPU Server Box Pro
(page 7 to page 21)
- * Accessories
(page 22 to page 24)



CPU Server Box
Protection
Applications



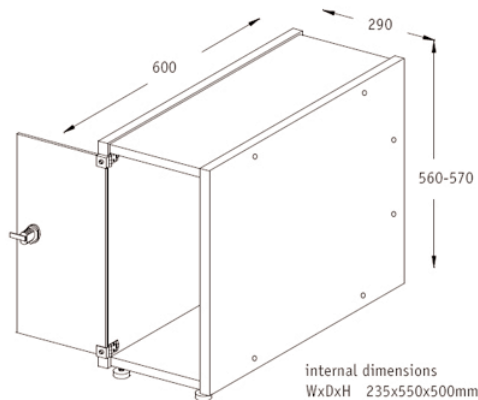
Workplace Wellness

www.ergonoflex.com

Product Data Sheet

CPU Server Box "Eco"
235 x 550 x 500 mm

Color Light Grey



CPU Server Box "Eco" 235 x 550 x 500 Light Grey

The security of computers and the data they contain is becoming ever more important. Which also includes their physical security. Network servers and PCs can do their work in safety when they are neatly stored. The lockable cabinets have an internal acoustic foam lining. Furthermore, they offer a feeling of security, reduce noise levels and create additional workspace. They are also suitable for dusty or industrial environments, as replaceable dust filters clean the intake air. Adequate ventilation is guaranteed by one or two fans. You can also fit your CPU in any of the offered alternatives, that suit your requirements.

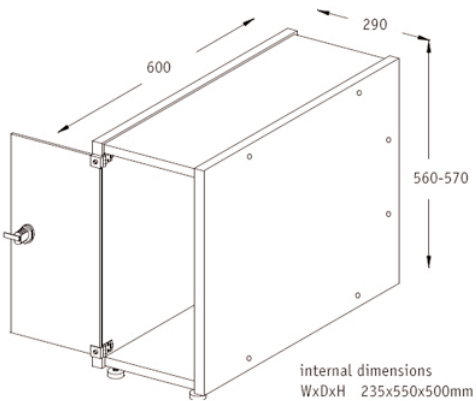
- Protection/sound-reduction of midi towers
- Cut-out for the ventilation to the back
- Lockable by key
- Packed assembled
- Internal dim. : 235 x 550 x 500 mm
- External dim. : 290 x 600 x 560-570 mm
- Provided with 4 adjustable feet
- Color : light grey

Part Number
EGF 32500

www.ergonoflex.com



Product Data Sheet



CPU Server Box "Eco"
235 x 550 x 500 mm

Color Charcoal

CPU Server Box "Eco" 235 x 550 x 500 Charcoal

The security of computers and the data they contain is becoming ever more important. Which also includes their physical security. Network servers and PCs can do their work in safety when they are neatly stored. The lockable cabinets have an internal acoustic foam lining. Furthermore, they offer a feeling of security, reduce noise levels and create additional workspace. They are also suitable for dusty or industrial environments, as replaceable dust filters clean the intake air. Adequate ventilation is guaranteed by one or two fans. You can also fit your CPU in any of the offered alternatives, that suit your requirements.

- Protection/sound-reduction of midi towers
- Cut-out for the ventilation to the back
- Lockable by key
- Packed assembled
- Internal dim. : 235 x 550 x 500 mm
- External dim. : 290 x 600 x 560-570 mm
- Provided with 4 adjustable feet
- Color : Charcoal

Workplace Wellness

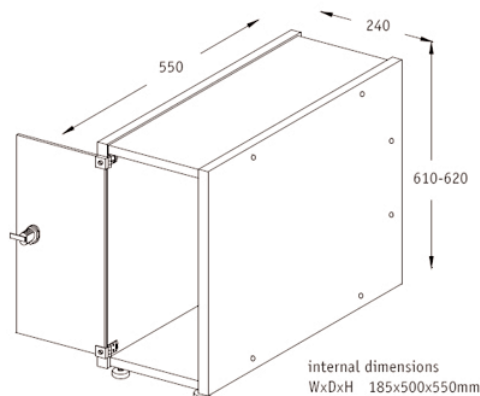
Part Number
EGF 32504

www.ergonoflex.com

Product Data Sheet

CPU Server Box "Eco"
185 x 500 x 550 mm

Color Light Grey



CPU Server Box "Eco" 185 x 500 x 550 mm Light Grey

The security of computers and the data they contain is becoming ever more important. Which also includes their physical security. Network servers and PCs can do their work in safety when they are neatly stored. The lockable cabinets have an internal acoustic foam lining. Furthermore, they offer a feeling of security, reduce noise levels and create additional workspace. They are also suitable for dusty or industrial environments, as replaceable dust filters clean the intake air. Adequate ventilation is guaranteed by one or two fans. You can also fit your CPU in any of the offered alternatives, that suit your requirements.

- Protection of mini towers
- Cut-out for the ventilation to the back
- Lockable by key
- Packed assembled
- Internal dim. : 185 x 500 x 550 mm
- External dim. : 240 x 550 x 610-620 mm
- Provided with 4 adjustable feet
- Color : light grey

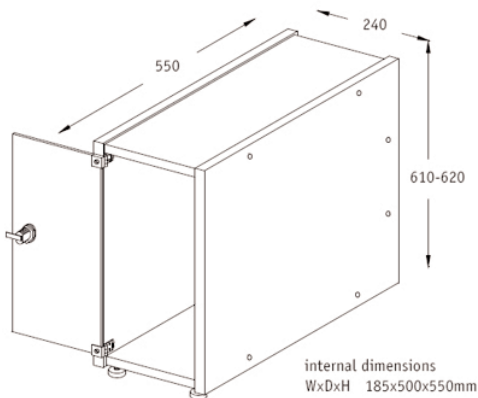
Workplace Wellness

Part Number
EGF 32550

www.ergonoflex.com



Product Data Sheet



CPU Server Box "Eco"
185 x 500 x 550 mm

Color Charcoal

CPU Server Box "Eco" 185 x 500 x 550 mm Charcoal

The security of computers and the data they contain is becoming ever more important. Which also includes their physical security. Network servers and PCs can do their work in safety when they are neatly stored. The lockable cabinets have an internal acoustic foam lining. Furthermore, they offer a feeling of security, reduce noise levels and create additional workspace. They are also suitable for dusty or industrial environments, as replaceable dust filters clean the intake air. Adequate ventilation is guaranteed by one or two fans. You can also fit your CPU in any of the offered alternatives, that suit your requirements.

- Protection of mini towers
- Cut-out for the ventilation to the back
- Lockable by key
- Packed assembled
- Internal dim. : 185 x 500 x 550 mm
- External dim. : 240 x 550 x 610-620 mm
- Provided with 4 adjustable feet
- Color : Charcoal

Workplace Wellness

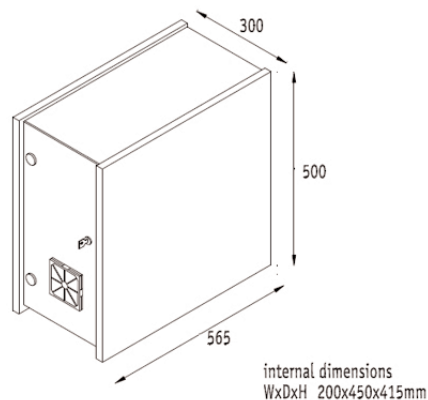
Part Number
EGF 32554

www.ergonoflex.com

Product Data Sheet

CPU Server Box "Pro"
200 x 450 x 415 mm

Color Maple



CPU Server Box "Pro" 200 x 450 x 415 mm Maple

The security of computers and the data they contain is becoming ever more important. Which also includes their physical security. Network servers and PCs can do their work in safety when they are neatly stored. The lockable cabinets have an internal acoustic foam lining. Furthermore, they offer a feeling of security, reduce noise levels and create additional workspace. They are also suitable for dusty or industrial environments, as replaceable dust filters clean the intake air. Adequate ventilation is guaranteed by one or two fans. You can also fit your CPU in any of the offered alternatives, that suit your requirements.

- Protection/sound-reduction of mini/midi towers
- Fan at the back and filter at the front
- Lockable by key
- Acoustic foam inside
- Internal dim. : 200 x 450 x 415 mm
- External dim. : 300 x 565 x 500 mm
- Color : maple

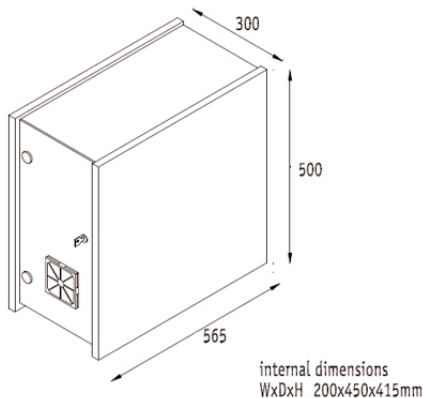


Part Number
EGF 32652

www.ergonoflex.com

CPU Server Box "Pro"
200 x 450 x 415 mm

Color Beech



CPU Server Box "Pro" 200 x 450 x 415 mm Beech

The security of computers and the data they contain is becoming ever more important. Which also includes their physical security. Network servers and PCs can do their work in safety when they are neatly stored. The lockable cabinets have an internal acoustic foam lining. Furthermore, they offer a feeling of security, reduce noise levels and create additional workspace. They are also suitable for dusty or industrial environments, as replaceable dust filters clean the intake air. Adequate ventilation is guaranteed by one or two fans. You can also fit your CPU in any of the offered alternatives, that suit your requirements.

- Protection/sound-reduction of mini/midi towers
- Fan at the back and filter at the front
- Lockable by key
- Acoustic foam inside
- Internal dim. : 200 x 450 x 415 mm
- External dim. : 300 x 565 x 500 mm
- Color : Beech



Workplace Wellness

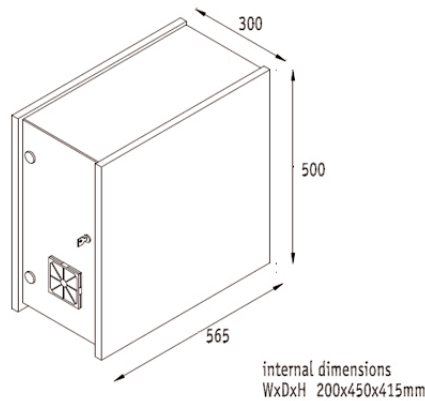
Part Number
EGF 32653

www.ergonoflex.com



CPU Server Box "Pro"
200 x 450 x 415 mm

Color Charcoal



Workplace Wellness

Part Number
EGF 32654

www.ergonoflex.com

CPU Server Box "Pro" 200 x 450 x 415 mm Charcoal

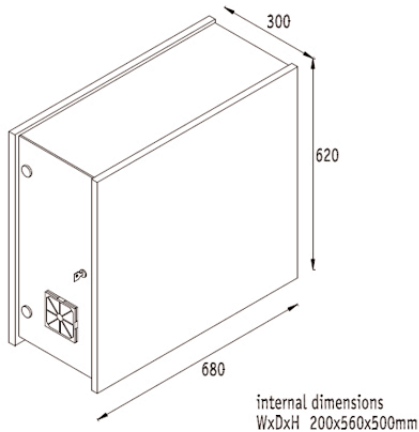
The security of computers and the data they contain is becoming ever more important. Which also includes their physical security. Network servers and PCs can do their work in safety when they are neatly stored. The lockable cabinets have an internal acoustic foam lining. Furthermore, they offer a feeling of security, reduce noise levels and create additional workspace. They are also suitable for dusty or industrial environments, as replaceable dust filters clean the intake air. Adequate ventilation is guaranteed by one or two fans. You can also fit your CPU in any of the offered alternatives, that suit your requirements.

- Protection/sound-reduction of mini/midi towers
- Fan at the back and filter at the front
- Lockable by key
- Acoustic foam inside
- Internal dim. : 200 x 450 x 415 mm
- External dim. : 300 x 565 x 500 mm
- Color : Charcoal



CPU Server Box "Pro"
200 x 560 x 500 mm

Color Light Grey



CPU Server Box "Pro" 200 x 450 x 415 mm Light Grey

The security of computers and the data they contain is becoming ever more important. Which also includes their physical security. Network servers and PCs can do their work in safety when they are neatly stored. The lockable cabinets have an internal acoustic foam lining. Furthermore, they offer a feeling of security, reduce noise levels and create additional workspace. They are also suitable for dusty or industrial environments, as replaceable dust filters clean the intake air. Adequate ventilation is guaranteed by one or two fans. You can also fit your CPU in any of the offered alternatives, that suit your requirements.

- Protection/sound-reduction of the big tower / server
- Fan at the back and filter at the front
- Lockable by key
- Acoustic foam inside
- Internal dim. : 200 x 560 x 500 mm
- External dim. : 300 x 680 x 620 mm
- Color : light grey



Workplace Wellness

Part Number
EGF 32660

www.ergonoflex.com

Product Data Sheet

CPU Server Box "Pro"
200 x 560 x 500 mm

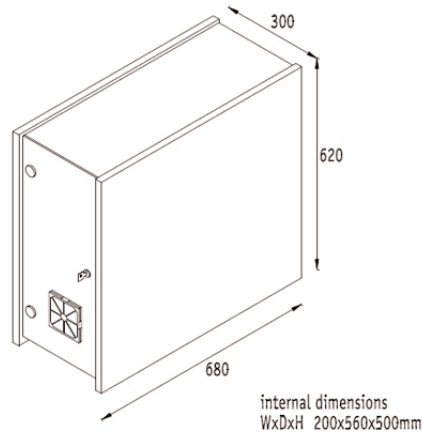
Color Charcoal

Workplace Wellness

Part Number
EGF 32664

www.ergonoflex.com

Page 11



CPU Server Box "Pro" 200 x 450 x 415 mm Charcoal

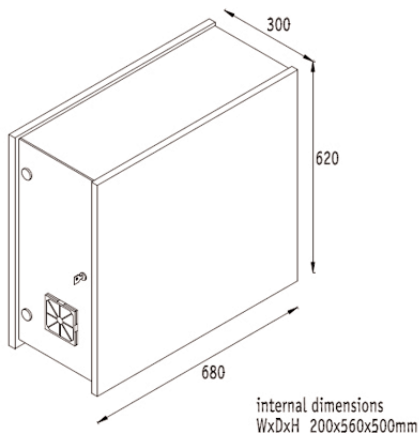
The security of computers and the data they contain is becoming ever more important. Which also includes their physical security. Network servers and PCs can do their work in safety when they are neatly stored. The lockable cabinets have an internal acoustic foam lining. Furthermore, they offer a feeling of security, reduce noise levels and create additional workspace. They are also suitable for dusty or industrial environments, as replaceable dust filters clean the intake air. Adequate ventilation is guaranteed by one or two fans. You can also fit your CPU in any of the offered alternatives, that suit your requirements.

- Protection/sound-reduction of the big tower / server
- Fan at the back and filter at the front
- Lockable by key
- Acoustic foam inside
- Internal dim. : 200 x 560 x 500 mm
- External dim. : 300 x 680 x 620 mm
- Color : Charcoal



CPU Server Box "Eco"
210 x 500 x 550 mm

Color Light Grey



CPU Server Box "Pro" 210 x 500 x 550 mm Light Grey

The security of computers and the data they contain is becoming ever more important. Which also includes their physical security. Network servers and PCs can do their work in safety when they are neatly stored. The lockable cabinets have an internal acoustic foam lining. Furthermore, they offer a feeling of security, reduce noise levels and create additional workspace. They are also suitable for dusty or industrial environments, as replaceable dust filters clean the intake air. Adequate ventilation is guaranteed by one or two fans. You can also fit your CPU in any of the offered alternatives, that suit your requirements.

- Protection/sound reduction of the big tower / server
- Fan at the back and filter at the front
- Lockable by key
- Acoustic foam inside
- Internal dim. : 210 x 500 x 550 mm
- External dim. : 310 x 620 x 670 mm
- Color : light grey



Workplace Wellness

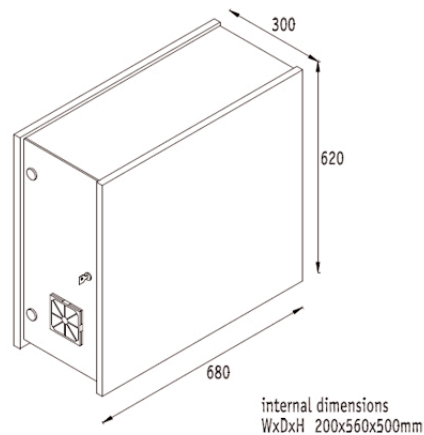
Part Number
EGF 32680

www.ergonoflex.com

Product Data Sheet

CPU Server Box "Eco"
210 x 500 x 550 mm

Color Charcoal



CPU Server Box "Pro" 210 x 500 x 550 mm Charcoal

The security of computers and the data they contain is becoming ever more important. Which also includes their physical security. Network servers and PCs can do their work in safety when they are neatly stored. The lockable cabinets have an internal acoustic foam lining. Furthermore, they offer a feeling of security, reduce noise levels and create additional workspace. They are also suitable for dusty or industrial environments, as replaceable dust filters clean the intake air. Adequate ventilation is guaranteed by one or two fans. You can also fit your CPU in any of the offered alternatives, that suit your requirements.

- Protection/sound reduction of the big tower / server
- Fan at the back and filter at the front
- Lockable by key
- Acoustic foam inside
- Internal dim. : 210 x 500 x 550 mm
- External dim. : 310 x 620 x 670 mm
- Color : Charcoal



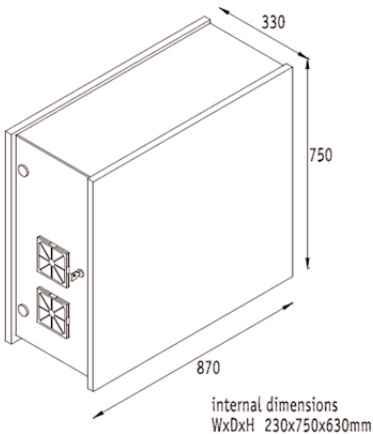
Workplace Wellness

Part Number
EGF 32684

www.ergonoflex.com

CPU Server Box "Pro"
230 x 750 x 630 mm

Color Light Grey



CPU Server Box "Pro" 230 x 750 x 630 mm Light Grey

The security of computers and the data they contain is becoming ever more important. Which also includes their physical security. Network servers and PCs can do their work in safety when they are neatly stored. The lockable cabinets have an internal acoustic foam lining. Furthermore, they offer a feeling of security, reduce noise levels and create additional workspace. They are also suitable for dusty or industrial environments, as replaceable dust filters clean the intake air. Adequate ventilation is guaranteed by one or two fans. You can also fit your CPU in any of the offered alternatives, that suit your requirements.

- Protection/sound reduction of the big tower / server
- 2 fans at the back and filters at the front
- Lockable by key
- Acoustic foam inside
- Internal dim. : 230 x 750 x 630 mm
- External dim. : 330 x 870 x 750 mm
- Color : light grey



Workplace Wellness

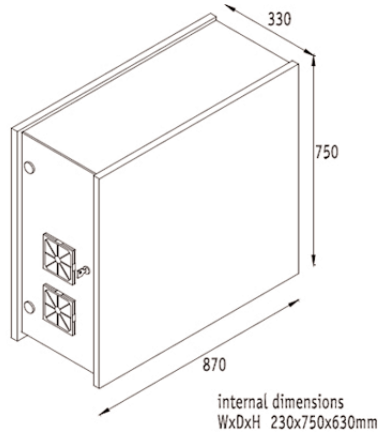
Part Number
EGF 32700

www.ergonoflex.com

Product Data Sheet

CPU Server Box "Pro"
230 x 750 x 630 mm

Color Charcoal



CPU Server Box "Pro" 230 x 750 x 630 mm Charcoal

The security of computers and the data they contain is becoming ever more important. Which also includes their physical security. Network servers and PCs can do their work in safety when they are neatly stored. The lockable cabinets have an internal acoustic foam lining. Furthermore, they offer a feeling of security, reduce noise levels and create additional workspace. They are also suitable for dusty or industrial environments, as replaceable dust filters clean the intake air. Adequate ventilation is guaranteed by one or two fans. You can also fit your CPU in any of the offered alternatives, that suit your requirements.

- Protection/sound reduction of the big tower / server
- 2 fans at the back and filters at the front
- Lockable by key
- Acoustic foam inside
- Internal dim. : 230 x 750 x 630 mm
- External dim. : 330 x 870 x 750 mm
- Color : Charcoal

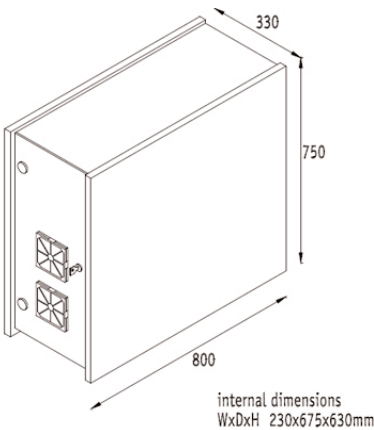


Part Number
EGF 32704

www.ergonoflex.com

CPU Server Box "Pro"
230 x 675 x 630 mm

Color Light Grey



CPU Server Box "Pro" 230 x 675 x 630 mm Light Grey

The security of computers and the data they contain is becoming ever more important. Which also includes their physical security. Network servers and PCs can do their work in safety when they are neatly stored. The lockable cabinets have an internal acoustic foam lining. Furthermore, they offer a feeling of security, reduce noise levels and create additional workspace. They are also suitable for dusty or industrial environments, as replaceable dust filters clean the intake air. Adequate ventilation is guaranteed by one or two fans. You can also fit your CPU in any of the offered alternatives, that suit your requirements.

- Protection/sound reduction of the big tower / server
- 2 fans at the back and filters at the front
- Lockable by key
- Acoustic foam inside
- Internal dim. : 230 x 675 x 630 mm
- External dim. : 330 x 800 x 750 mm
- Color : light grey



Workplace Wellness

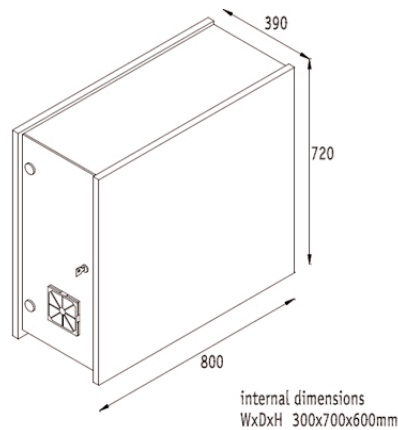
Part Number
EGF 32725

www.ergonoflex.com

Product Data Sheet

CPU Server Box "Pro"
300 x 700 x 600 mm

Color Light Grey



CPU Server Box "Pro" 300 x 700 x 600 mm Light Grey

The security of computers and the data they contain is becoming ever more important. Which also includes their physical security. Network servers and PCs can do their work in safety when they are neatly stored. The lockable cabinets have an internal acoustic foam lining. Furthermore, they offer a feeling of security, reduce noise levels and create additional workspace. They are also suitable for dusty or industrial environments, as replaceable dust filters clean the intake air. Adequate ventilation is guaranteed by one or two fans. You can also fit your CPU in any of the offered alternatives, that suit your requirements.

- Protection/sound reduction of the big tower / server
- Fan at the back and filter at the front
- Lockable by key
- Acoustic foam inside
- Internal dim. : 300 x 700 x 600 mm
- External dim. : 390 x 800 x 720 mm
- Color : light grey



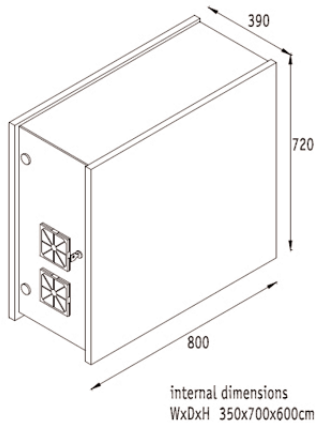
Workplace Wellness

Part Number
EGF 32728

www.ergonoflex.com

CPU Server Box "Pro"
350 x 700 x 600 mm

Color Light Grey



CPU Server Box "Pro" 350 x 700 x 600 mm Light Grey

The security of computers and the data they contain is becoming ever more important. Which also includes their physical security. Network servers and PCs can do their work in safety when they are neatly stored. The lockable cabinets have an internal acoustic foam lining. Furthermore, they offer a feeling of security, reduce noise levels and create additional workspace. They are also suitable for dusty or industrial environments, as replaceable dust filters clean the intake air. Adequate ventilation is guaranteed by one or two fans. You can also fit your CPU in any of the offered alternatives, that suit your requirements.

- Protection/sound reduction of the big tower / server
- 2 fans at the back and filters at the front
- Lockable by key
- Acoustic foam inside
- Internal dim. : 350 x 700 x 600 mm
- External dim. : 390 x 800 x 720 mm
- Color : light grey



Workplace Wellness

Part Number
EGF 32729

www.ergonoflex.com

Product Data Sheet

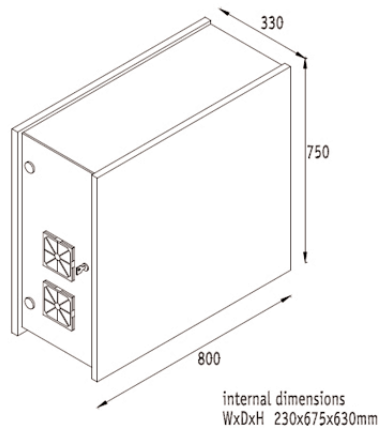
CPU Server Box "Pro"
230 x 675 x 630 mm

Color Charcoal

Workplace Wellness

Part Number
EGF 32754

www.ergonoflex.com



CPU Server Box "Pro" 230 x 675 x 630 mm Charcoal

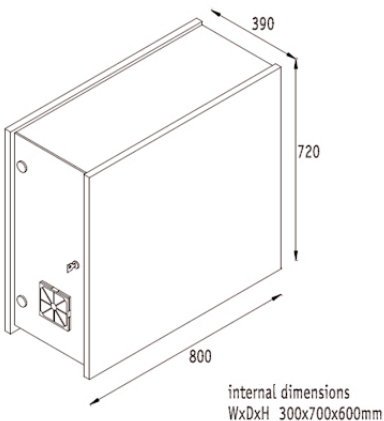
The security of computers and the data they contain is becoming ever more important. Which also includes their physical security. Network servers and PCs can do their work in safety when they are neatly stored. The lockable cabinets have an internal acoustic foam lining. Furthermore, they offer a feeling of security, reduce noise levels and create additional workspace. They are also suitable for dusty or industrial environments, as replaceable dust filters clean the intake air. Adequate ventilation is guaranteed by one or two fans. You can also fit your CPU in any of the offered alternatives, that suit your requirements.

- Protection/sound reduction of the big tower / server
- 2 fans at the back and filters at the front
- Lockable by key
- Acoustic foam inside
- Internal dim. : 230 x 675 x 630 mm
- External dim. : 330 x 800 x 750 mm
- Color : charcoal



CPU Server Box "Pro"
300 x 700 x 600 mm

Color Charcoal



CPU Server Box "Pro" 300 x 700 x 600 mm Charcoal

The security of computers and the data they contain is becoming ever more important. Which also includes their physical security. Network servers and PCs can do their work in safety when they are neatly stored. The lockable cabinets have an internal acoustic foam lining. Furthermore, they offer a feeling of security, reduce noise levels and create additional workspace. They are also suitable for dusty or industrial environments, as replaceable dust filters clean the intake air. Adequate ventilation is guaranteed by one or two fans. You can also fit your CPU in any of the offered alternatives, that suit your requirements.

- Protection/sound reduction of the big tower / server
- Fan at the back and filter at the front
- Lockable by key
- Acoustic foam inside
- Internal dim. : 300 x 700 x 600 mm
- External dim. : 390 x 800 x 720 mm
- Color : charcoal



Workplace Wellness

Part Number
EGF 32764

www.ergonoflex.com

Product Data Sheet

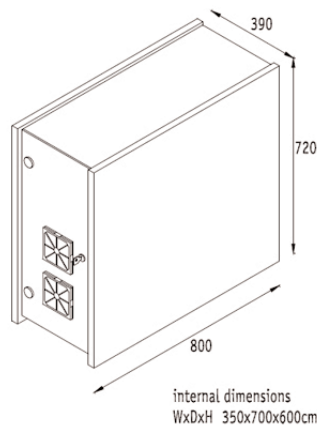
CPU Server Box "Pro"
350 x 700 x 600 mm

Color Charcoal

Workplace Wellness

Part Number
EGF 32774

www.ergonoflex.com



CPU Server Box "Pro" 350 x 700 x 600 mm Charcoal

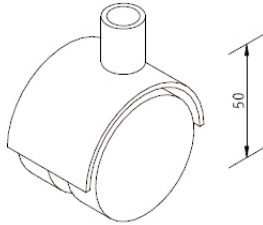
The security of computers and the data they contain is becoming ever more important. Which also includes their physical security. Network servers and PCs can do their work in safety when they are neatly stored. The lockable cabinets have an internal acoustic foam lining. Furthermore, they offer a feeling of security, reduce noise levels and create additional workspace. They are also suitable for dusty or industrial environments, as replaceable dust filters clean the intake air. Adequate ventilation is guaranteed by one or two fans. You can also fit your CPU in any of the offered alternatives, that suit your requirements.

- Protection/sound reduction of the big tower / server
- 2 fans at the back and filters at the front
- Lockable by key
- Acoustic foam inside
- Internal dim. : 350 x 700 x 600 mm
- External dim. : 390 x 800 x 720 mm
- Color : charcoal



Set of Castors

Color Grey



Set of Castors Grey

The security of computers and the data they contain is becoming ever more important. Which also includes their physical security. Network servers and PCs can do their work in safety when they are neatly stored. The lockable cabinets have an internal acoustic foam lining. Furthermore, they offer a feeling of security, reduce noise levels and create additional workspace. They are also suitable for dusty or industrial environments, as replaceable dust filters clean the intake air. Adequate ventilation is guaranteed by one or two fans. You can also fit your CPU in any of the offered alternatives, that suit your requirements.

- Set of 4 castors of which 2 lockable
- Color : light grey

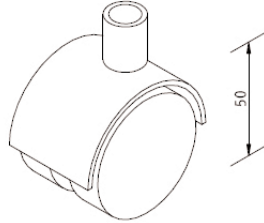
Part Number
EGF 32525

www.ergonoflex.com

Product Data Sheet

Set of Castors

Color Black



Set of Castors Black

The security of computers and the data they contain is becoming ever more important. Which also includes their physical security. Network servers and PCs can do their work in safety when they are neatly stored. The lockable cabinets have an internal acoustic foam lining. Furthermore, they offer a feeling of security, reduce noise levels and create additional workspace. They are also suitable for dusty or industrial environments, as replaceable dust filters clean the intake air. Adequate ventilation is guaranteed by one or two fans. You can also fit your CPU in any of the offered alternatives, that suit your requirements.

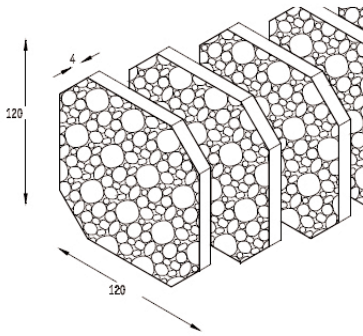
- Set of 4 castors of which 2 lockable
- Color : Black

Part Number
EGF 32526

www.ergonoflex.com

Set of Dust Filter

Color Black



Set of Dust Filter

The security of computers and the data they contain is becoming ever more important. Which also includes their physical security. Network servers and PCs can do their work in safety when they are neatly stored. The lockable cabinets have an internal acoustic foam lining. Furthermore, they offer a feeling of security, reduce noise levels and create additional workspace. They are also suitable for dusty or industrial environments, as replaceable dust filters clean the intake air. Adequate ventilation is guaranteed by one or two fans. You can also fit your CPU in any of the offered alternatives, that suit your requirements.

- Filter for CPU/server box
- Set of 10 pieces
- Color : black

Workplace Wellness

Part Number
EGF 32745

www.ergonoflex.com



Workplace Wellness



CPU Server Box Protection Solutions



www.ergonoflex.com