



## Workplace Wellness



## Computer Cabinet Solutions



[www.ergonoflex.com](http://www.ergonoflex.com)



### **Computer Cabinet Solutions**

The increasing use of computer applications at home and at the office is accompanied by a great demand for ergonomically designed computer furniture.

We offer a wide range of PC furniture and stands that have been specially designed to meet the various requirements and needs of the computer user. They are available in every imaginable form, such as with a variable or a fixed height.

Consequently they are ideally suited for almost all types of mini tower computers, as well as for laser and inkjet printers. A wide choice of sizes and colour options means they can blend in harmoniously in every school and office environment.

### Index

- \* Computer Cabinet  
(page 3 to page 6)
- \* Accessories  
(page 7 to page 11)



Computer  
Cabinet

Applications



Workplace Wellness

[www.ergonoflex.com](http://www.ergonoflex.com)

Computer Cabinet

Color Light Grey



### Computer Cabinet Light Grey

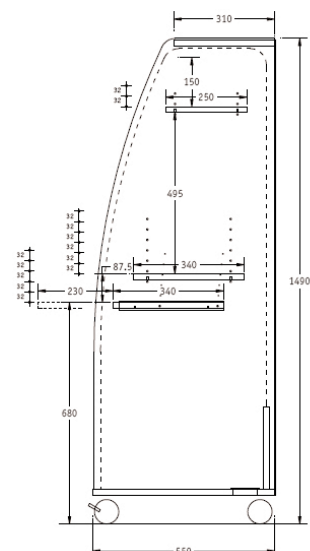
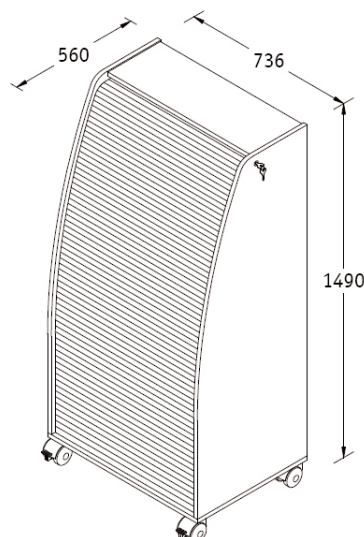
The increasing use of computer applications at home and at the office is accompanied by a great demand for ergonomically designed computer furniture.

We offer a wide range of PC furniture and stands that have been specially designed to meet the various requirements and needs of the computer user. They are available in every imaginable form, such as with a variable or a fixed height.

Consequently they are ideally suited for almost all types of mini tower computers, as well as for laser and inkjet printers. A wide choice of sizes and colour options means they can blend in harmoniously in every school and office environment.

- Option Printer Panel

- Computer cabinet for all devices
- Lockable tambour door
- Dimensions : 736 x 560 x 1490 mm
- With 4 castors
- Slidable panel for mouse and keyboard
- Color : light grey



Part Number  
EGF 80900

[www.ergonoflex.com](http://www.ergonoflex.com)



Computer Cabinet

Color  
Aluminium / Maple



### Computer Cabinet Aluminium/Maple

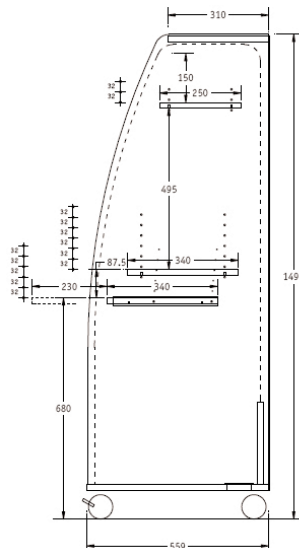
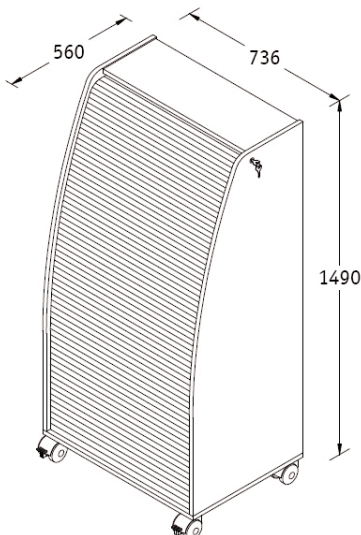
The increasing use of computer applications at home and at the office is accompanied by a great demand for ergonomically designed computer furniture.

We offer a wide range of PC furniture and stands that have been specially designed to meet the various requirements and needs of the computer user. They are available in every imaginable form, such as with a variable or a fixed height.

Consequently they are ideally suited for almost all types of mini tower computers, as well as for laser and inkjet printers. A wide choice of sizes and colour options means they can blend in harmoniously in every school and office environment.

- Option Printer Panel
- Computer cabinet for all devices • Lockable tambour door
- Dimensions : 736 x 560 x 1490 mm • With 4 castors
- Slidable panel for mouse and keyboard • Color : Aluminium/Maple

Workplace Wellness



Part Number  
EGF 80902

[www.ergonoflex.com](http://www.ergonoflex.com)



Computer Cabinet

Color  
Charcoal / Aluminium



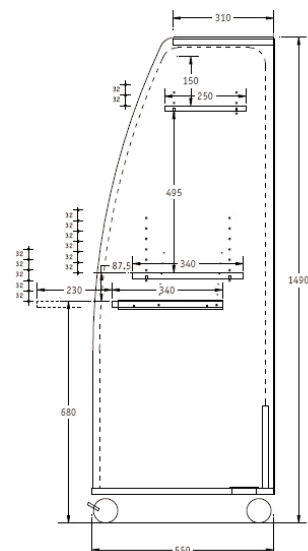
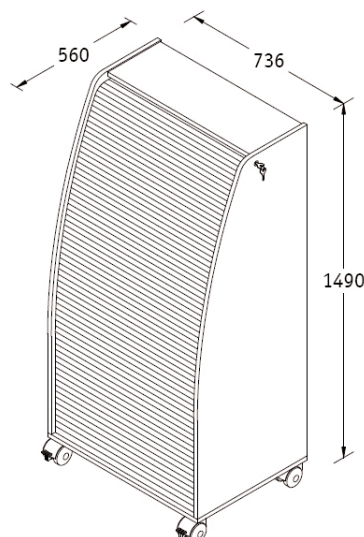
### Computer Cabinet Charcoal/aluminium

The increasing use of computer applications at home and at the office is accompanied by a great demand for ergonomically designed computer furniture.

We offer a wide range of PC furniture and stands that have been specially designed to meet the various requirements and needs of the computer user. They are available in every imaginable form, such as with a variable or a fixed height.

Consequently they are ideally suited for almost all types of mini tower computers, as well as for laser and inkjet printers. A wide choice of sizes and colour options means they can blend in harmoniously in every school and office environment. • Option Printer Panel

- Computer cabinet for all devices • Lockable tambour door
- Dimensions : 736 x 560 x 1490 mm • With 4 castors
- Slidable panel for mouse and keyboard • Color : Charcoal/Aluminium



Part Number  
EGF 80904

[www.ergonoflex.com](http://www.ergonoflex.com)



Computer Cabinet

Color  
Aluminium / Cherry



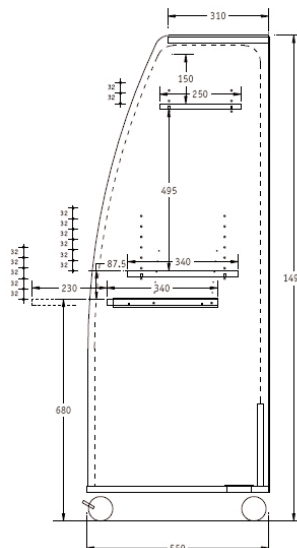
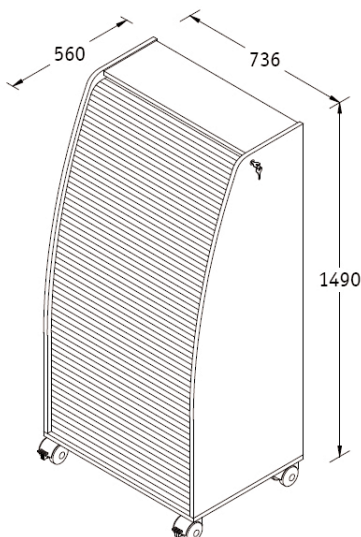
### Computer Cabinet Aluminium/Cherry

The increasing use of computer applications at home and at the office is accompanied by a great demand for ergonomically designed computer furniture.

We offer a wide range of PC furniture and stands that have been specially designed to meet the various requirements and needs of the computer user. They are available in every imaginable form, such as with a variable or a fixed height.

Consequently they are ideally suited for almost all types of mini tower computers, as well as for laser and inkjet printers. A wide choice of sizes and colour options means they can blend in harmoniously in every school and office environment.

- Option Printer Panel
- Computer cabinet for all devices • Lockable tambour door
- Dimensions : 736 x 560 x 1490 mm • With 4 castors
- Slidable panel for mouse and keyboard • Color : Aluminium/Cherry



Workplace Wellness

Part Number  
EGF 80905

[www.ergonoflex.com](http://www.ergonoflex.com)



Printer Panel Option

Color Light Grey



### Option Printer Panel for Computer Cabinet Light Grey

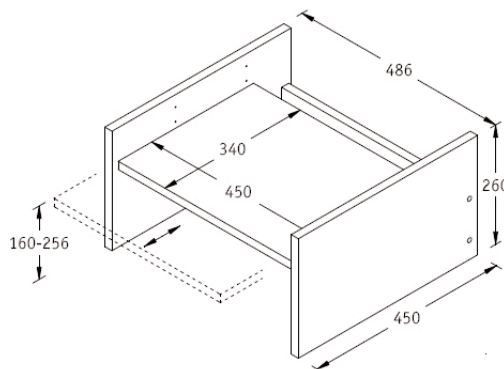
The increasing use of computer applications at home and at the office is accompanied by a great demand for ergonomically designed computer furniture.

We offer a wide range of PC furniture and stands that have been specially designed to meet the various requirements and needs of the computer user. They are available in every imaginable form, such as with a variable or a fixed height.

Consequently they are ideally suited for almost all types of mini tower computers, as well as for laser and inkjet printers. A wide choice of sizes and colour options means they can blend in harmoniously in every school and office environment.

- Option Printer Panel

- Printer panel • Suits the computer cabinet
- Dimensions : 486 x 450 x 260 mm • Height adjustable from 160 to 256 mm
- Color : light grey



Part Number  
EGF 80940

[www.ergonoflex.com](http://www.ergonoflex.com)



### Option Printer Panel for Computer Cabinet Aluminium/maple

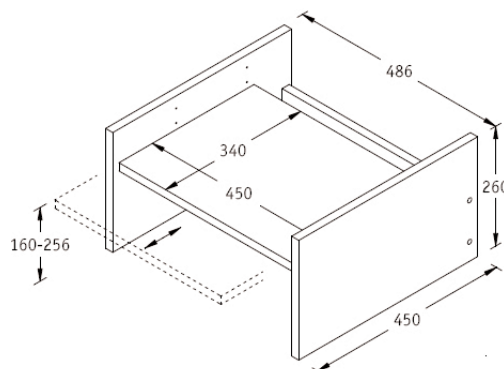
The increasing use of computer applications at home and at the office is accompanied by a great demand for ergonomically designed computer furniture.

We offer a wide range of PC furniture and stands that have been specially designed to meet the various requirements and needs of the computer user. They are available in every imaginable form, such as with a variable or a fixed height.

Consequently they are ideally suited for almost all types of mini tower computers, as well as for laser and inkjet printers. A wide choice of sizes and colour options means they can blend in harmoniously in every school and office environment.

• Option Printer Panel

- Printer panel • Suits the computer cabinet
- Dimensions : 486 x 450 x 260 mm • Height adjustable from 160 to 256 mm
- Color : Aluminium/Maple



Product Data Sheet

Printer Panel Option

Color  
Aluminium / Maple

Workplace Wellness

Part Number  
EGF 80942

[www.ergonoflex.com](http://www.ergonoflex.com)

## Product Data Sheet

Printer Panel Option

Color  
Charcoal / Aluminium



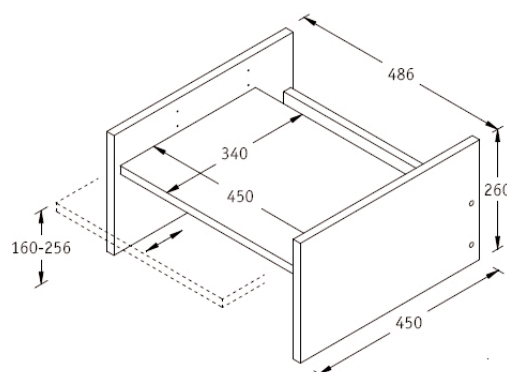
### Option Printer Panel for Computer Cabinet Charcoal/Aluminium

The increasing use of computer applications at home and at the office is accompanied by a great demand for ergonomically designed computer furniture.

We offer a wide range of PC furniture and stands that have been specially designed to meet the various requirements and needs of the computer user. They are available in every imaginable form, such as with a variable or a fixed height.

Consequently they are ideally suited for almost all types of mini tower computers, as well as for laser and inkjet printers. A wide choice of sizes and colour options means they can blend in harmoniously in every school and office environment. • Option Printer Panel

- Printer panel • Suits the computer cabinet
- Dimensions : 486 x 450 x 260 mm • Height adjustable from 160 to 256 mm
- Color : Charcoal/Aluminium



Part Number  
EGF 80944

[www.ergonoflex.com](http://www.ergonoflex.com)



Printer Panel Option

Color  
Aluminium / Cherry



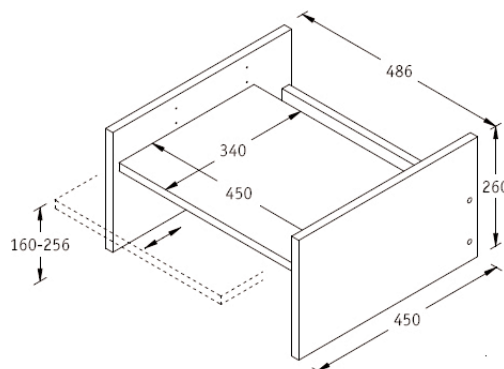
### Option Printer Panel for Computer Cabinet Aluminium/Cherry

The increasing use of computer applications at home and at the office is accompanied by a great demand for ergonomically designed computer furniture.

We offer a wide range of PC furniture and stands that have been specially designed to meet the various requirements and needs of the computer user. They are available in every imaginable form, such as with a variable or a fixed height.

Consequently they are ideally suited for almost all types of mini tower computers, as well as for laser and inkjet printers. A wide choice of sizes and colour options means they can blend in harmoniously in every school and office environment. • Option Printer Panel

- Printer panel • Suits the computer cabinet
- Dimensions : 486 x 450 x 260 mm • Height adjustable from 160 to 256 mm
- Color : Aluminium/cherry



Part Number  
EGF 80945

[www.ergonoflex.com](http://www.ergonoflex.com)



## Workplace Wellness



## Computer Cabinet Solutions



[www.ergonoflex.com](http://www.ergonoflex.com)