

The logo for ErgonoFlex, featuring the brand name in a blue, sans-serif font with a stylized blue and orange graphic element above the 'o'.

Workplace Wellness

Combo Mobile
Workstation Carts
Solutions

www.ergonoflex.com



Combo Mobile Workstations Carts

ErgonoFlex ComboMobile Workstations Carts are the industry leader in ease of adjustment, superior mobility, rugged performance, hi-tech styling and prices to value ration.

ErgonoFlex spent more than two years of collaborative engineering and design development to create our products for the office or home. ErgonoFlex's performance capability combines Combo technoly, engineering and styling.

Index

- * Combo Mobile Configuration CM1
(page 3)
- * Combo Mobile Configuration CM2
(page 5)
- * Combo Mobile Configuration CM3
(page 7)
- * Combo Mobile Configuration CM4
(page 9)
- * Configure your Combo Mobile Workstation carts
(page 11 to 33)



Overview

Combo Mobile
Workstations Carts
Warranty: 2 Years



work now
recycle later.



Workplace Wellness

www.ergonoflex.com

Product Data Sheet

Combo Mobile
Workstation Carts CM1
Warranty: 2 Years

Workplace Wellness

Part Number
EGF 01400

www.ergonoflex.com

Page 3

Combo Mobile Cart CM1

Introducing ErgonoFlex Combo Mobile
Cart CM1: Computer On Wheels.

Get moving with the ErgonoFlex Combo
Mobile Workstations CM Series!

This cart is a modular system that's custo-
mizeable to your exact needs.

Attach arms, Combo arms, pivots and cpu
holders, as well as many other options.

Completely modular and customizable.
For use in standing position applications.
Locking casters easily move.

Other applications: Office, IT infracstuc-
ture, Education and Industrial

Height: Base 103 cm/
Down Position 73,66 cm

Maximum Weight: Monitor 12 Kg./Keyboard 2 Kg.

Footprint:

Base/Surface 62 cm W x 62 cm D

Configuration Includes:

Mobile Stand / Compact Clamp mount
(low)

Clamping distance: 15-30 mm

1 Keyboard Tray (64 x 20 cm)

Adjustable 19,5 to 29 cm

1 Tilt/Turn joint Pivot with

VESA 75/100 mm

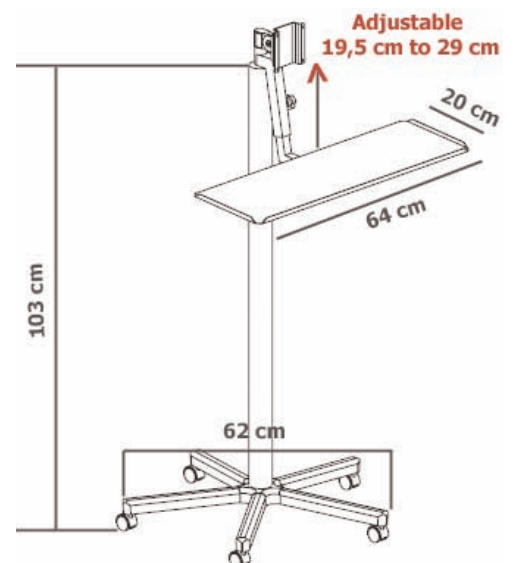
- 2 year warranty

Color: Polished Aluminum / Silver Grey

ErgonoFlex



work now
recycle later.



Overview Details:

Combo Mobile
Workstation Carts CM1
Warranty: 2 Years

Workplace Wellness



Tilt Turn Joint Pivot



Combo Mobile Workstation Cart CM1



Keyboard TRay64 x 20 cm



Base Mobile casters
2 locking 62 cm x 62 cm



Adjustable Keyboard Tray
19,5 x 29 cm



Portrait-Landscape 360°
Tilt 140° - Rotation 270°

PRODUCT SPECIFICATIONS

Height

Base: 103 cm

Down Position: 73,66 cm

Maximum Weight

Monitor : 12 Kg

Keyboard: 2 Kg

Footprint

Base: 62 W x 62 D (cm)

Configuration Includes:

Mobile Stand

Compact Clamp mount

Keyboard Tray 64 x 20 cm

Tilt Turn joint pivot

VESA:

75 and 100 mm

Part Number
EGF 01400

www.ergonoflex.com

Product Data Sheet

Combo Mobile
Workstation Carts CM2
Warranty: 2 Years

Workplace Wellness

Part Number
EGF 01410

www.ergonoflex.com

Page 5

Combo Mobile Cart CM2

Introducing ErgonoFlex Combo Mobile
Cart CM2: Computer On Wheels.

Get moving with the ErgonoFlex Combo
Mobile Workstations CM Series!

This cart is a modular system that's custo-
mizeable to your exact needs.

Attach arms, Combo arms, pivots and cpu
holders, as well as many other options.
Completely modular and customizable

For use in standing position applications.
Locking casters easily move.
Other applications: Office, IT
infrastructure, Education and Industrial

Height: Base 103 cm/
Down Position 73,66 cm

Maximum Weight: Monitor 12 Kg./Keyboard 2 Kg.

Footprint:
Base/Surface 62 cm W x 62 cm D

Configuration Includes:

Mobile Stand / Compact Clamp
mount (low)
Clamping distance: 15-30 mm /
CPU Holder Adjustable 90-250 mm
1 Keyboard Tray (64 x 20 cm)
Adjustable 19,5 to 29 cm
1 Tilt/Turn joint Pivot with
VESA 75/100 mm

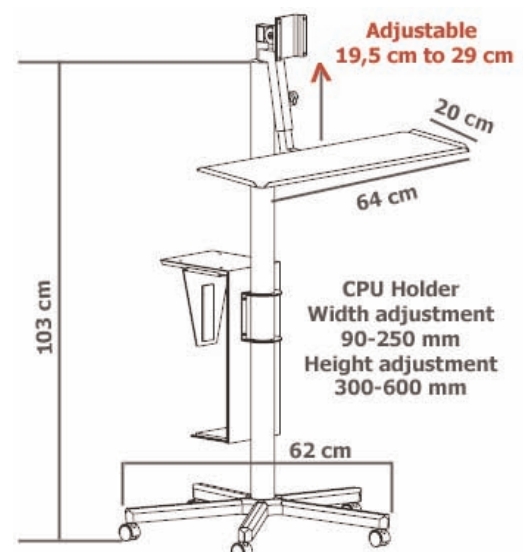
- 2 year warranty

Color: Polished Aluminum /Silver Grey

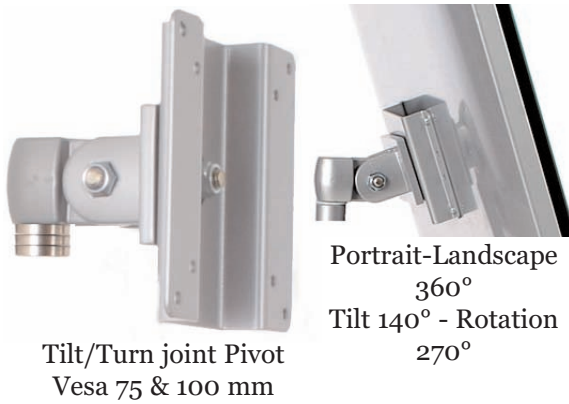
ErgonoFlex



work now
recycle later.



Overview Details:



Combo Mobile
Workstation Carts CM2
Warranty: 2 Years



Keyboard Tray 64 x 20 cm



Adjustable CPU Holder



Adjustable Keyboard Tray
19,5 x 29 cm



Base Mobile Casters
2 locking 62 x 62 cm

PRODUCT SPECIFICATIONS

Height
Base: 103 cm
Down Position: 73,66 cm

Maximum Weight
Monitor : 12 Kg
Keyboard: 2 Kg

Footprint
Base: 62 W x 62 D (cm)

Configuration Includes:
Mobile Stand
Compact Clamp mount
Keyboard Tray 64 x 20 cm
Tilt Turn joint pivot
CPU Holder Adjustable

VESA:
75 and 100 mm

Workplace Wellness

Part Number
EGF 01410

www.ergonoflex.com

Product Data Sheet

Combo Mobile
Workstation Carts CM3
Warranty: 2 Years

Workplace Wellness

Part Number
EGF 01420

www.ergonoflex.com

Page 7

Combo Mobile Cart CM3

Introducing ErgonoFlex Combo Mobile Cart CM3: Computer On Wheels.

Get moving with the ErgonoFlex Combo Mobile Workstations CM Series!

This cart is a modular system that's customizeable to your exact needs.

Attach arms, Combo arms, pivots and cpu holders, as well as many other options.

Completely modular and customizeable.
For use in standing position applications.
Locking casters easily move.
Other applications: Office, IT
infrastructure, Education and Industrial

Height: Base 103 cm/
Down Position 73,66 cm

Maximum Weight: Monitor 12 Kg./Keyboard 2 Kg.

Footprint:

Base/Surface 62 cm W x 62 cm D

Configuration Includes:

Mobile Stand / Compact Clamp mount (low) / Adjustable Lift Arm
Clamping distance: 15-30 mm /
CPU Holder Adjustable 90-250 mm
1 Keyboard Tray (64 x 20 cm)
Adjustable 19,5 to 29 cm
1 Tilt/Turn joint Pivot with
VESA 75/100 mm

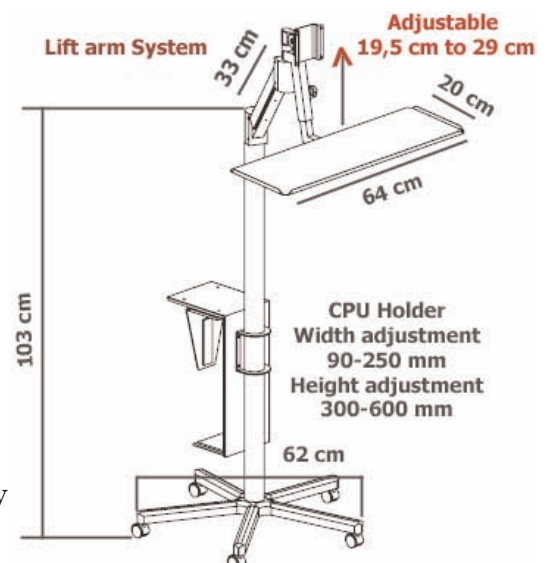
- 2 year warranty

Color: Polished Aluminum / Silver Grey

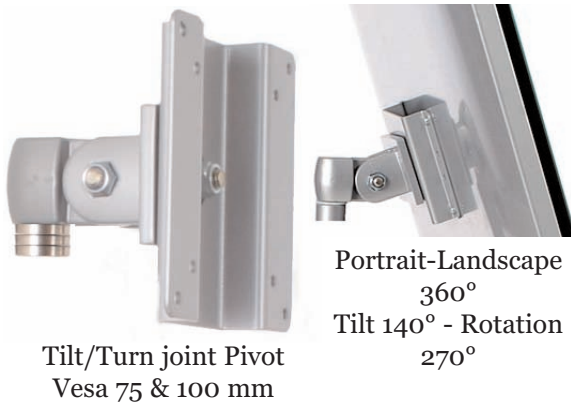
ErgonoFlex



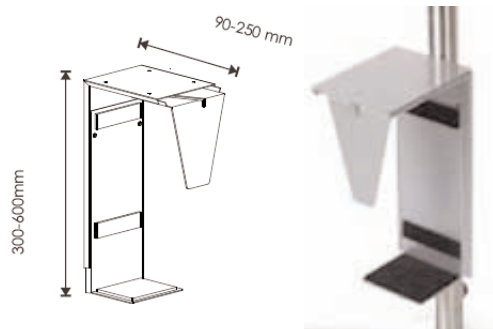
work now
recycle later.



Overview Details:



Combo Mobile
Workstation Carts CM3
Warranty: 2 Years



Adjustable CPU Holder

Workplace Wellness



PRODUCT SPECIFICATIONS	
Height	
Base:	103 cm
Down Position:	73,66 cm
Maximum Weight	
Monitor :	12 Kg
Keyboard:	2 Kg
Footprint	
Base:	62 W x 62 D (cm)
Configuration Includes:	
	Mobile Stand
	Compact Clamp mount
	Keyboard Tray 64 x 20 cm
	Tilt Turn joint pivot
	CPU Holder Adjustable
	Lift Adjustable Arm
VESA:	
	75 and 100 mm

Part Number
EGF 01420

www.ergonoflex.com

Combo Mobile
Workstation Carts CM4
Warranty: 2 Years

Workplace Wellness

Part Number
EGF 01430

www.ergonoflex.com



Combo Mobile Cart CM4

Introducing ErgonoFlex Combo Mobile Cart CM4: Computer On Wheels.

Get moving with the ErgonoFlex Combo Mobile Workstations CM Series!

This cart is a modular system that's customizable to your exact needs.

Attach arms, Combo arms, pivots and cpu holders, as well as many other options.

Completely modular and customizable.

For use in standing position applications.

Locking casters easily move. Other applications: Office, IT infrastructure, Education and Industrial

Height: Base 103 cm/Down Position 73,66 cm

Maximum Weight: Monitor 12 Kg./Keyboard 2 Kg.

Footprint:

Base/Surface 62 cm W x 62 cm D



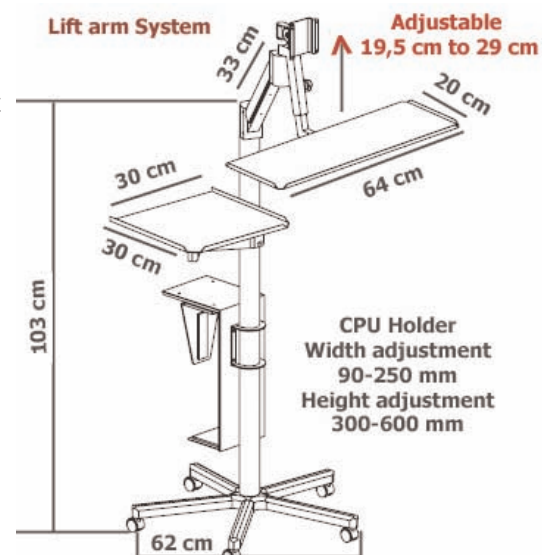
work now
recycle later.

Configuration Includes:

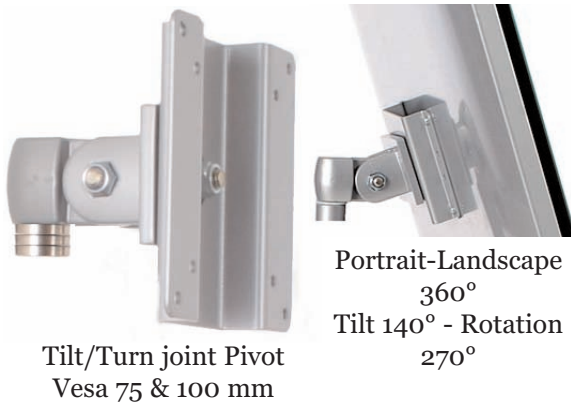
- Mobile Stand / Compact Clamp mount (low) / Adjustable Lift Arm
- Clamping distance: 15-30 mm / CPU Holder Adjustable 90-250 mm
- 1 Keyboard Tray (64 x 20 cm)
- Adjustable 19,5 to 29 cm
- 1 Tilt/Turn joint Pivot with VESA 75/100 mm
- 1 Tilt Turn Universal Tray 33 x 32 cm

• 2 year warranty Color: Polished

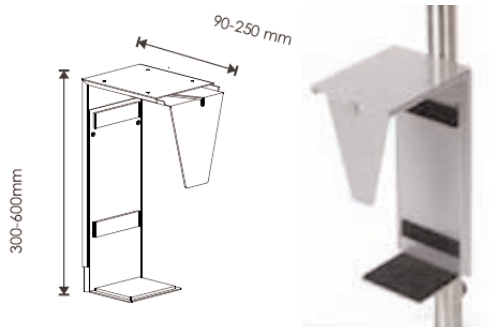
Aluminum / Silver Grey



Overview Details:



Combo Mobile
Workstation Carts CM4
Warranty: 2 Years



Adjustable CPU Holder



PRODUCT SPECIFICATIONS

Height
Base: 103 cm
Down Position: 73,66 cm

Maximum Weight
Monitor : 12 Kg
Keyboard: 2 Kg

Footprint
Base: 62 W x 62 D (cm)

Configuration Includes:
Mobile Stand
Compact Clamp mount
Keyboard Tray 64 x 20 cm
Tilt Turn joint pivot
CPU Holder Adjustable
Lift Adjustable Arm
Tilt turn Tray Universal

VESA:
75 and 100 mm

Workplace Wellness

Part Number
EGF 01430

www.ergonoflex.com

Product Data Sheet

Mobile Stand
Option
Warranty: 2 Years

Workplace Wellness

Part Number
EGF 01480

www.ergonoflex.com



Mobile Stand

- * Height 103 cm
- * Pole Diameter 50 mm
- * Base 62 x 62 cm

Include:

- * Hole in top for mounting Arm and other
- 2 year warranty

Color: Polished Aluminum /
Silver Grey

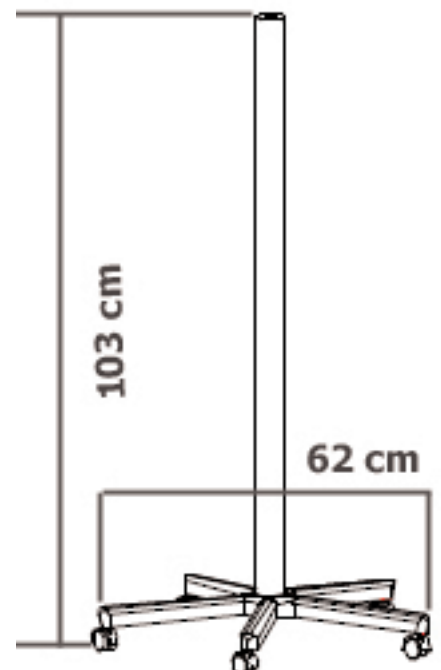


work now
recycle later.

PRODUCT SPECIFICATIONS

Mobile Stand:

Height: 103 cm
Pole: diam 50 mm
Base: 62 x 62 cm
Include hole in top for mounting
Arm and other ...





Tilt Turn Joint Pivot
Option
Warranty: 2 Years

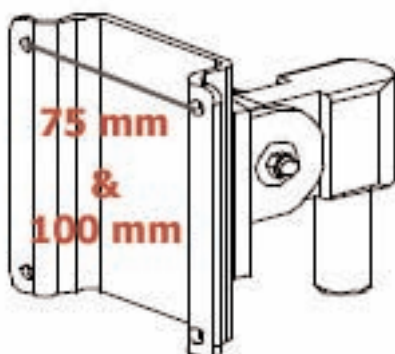
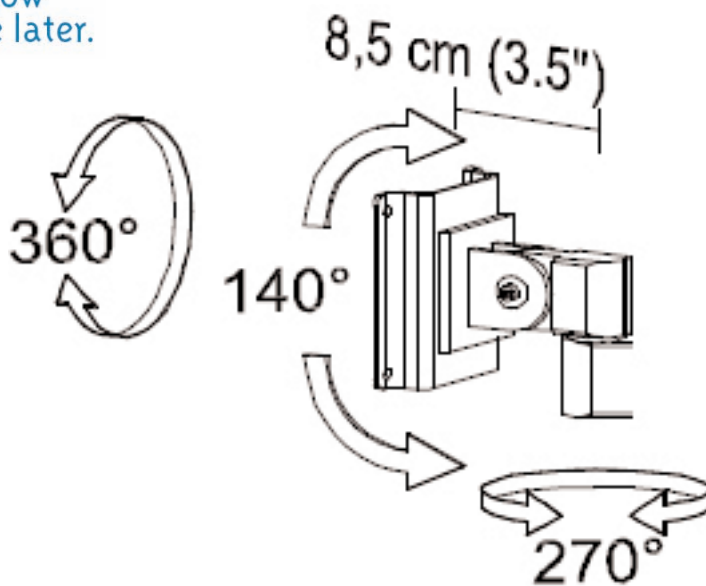


Tilt Turn Joint Pivot

- * Tilt 140°
 - * Rotation 270°
 - * Portrait Landscape 360°
 - * Pivot Distance: 8,5 cm
 - 2 year warranty
- Color: Silver Grey



work now
recycle later.



PRODUCT SPECIFICATIONS

Tilt Turn Joint Pivot:
Vesa 75/100 mm
Tilt 140°
Rotation 270°
Portrait Landscape 360°
Pivot Distance 8,5 cm

Workplace Wellness

Part Number
EGF 01481

www.ergonoflex.com

Product Data Sheet



Tilt Turn Universal Tray
Option
Warranty: 2 Years

Tilt Turn Universal Tray

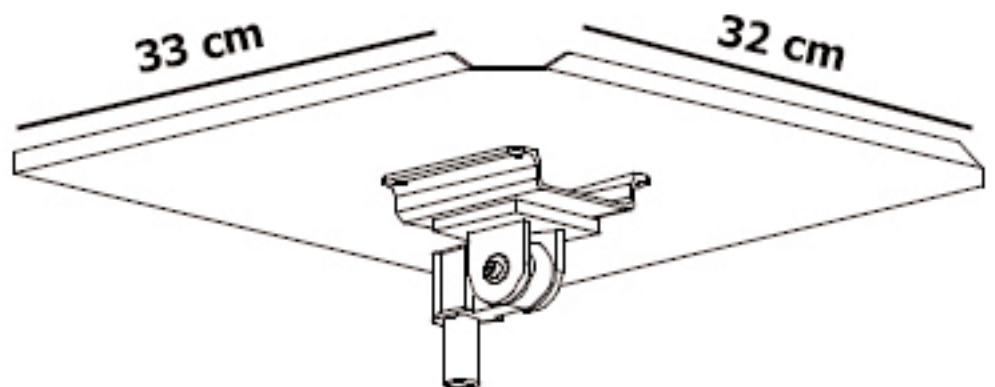
- * Tilt 140°
- * Rotation 270°
- * Portrait Landscape 360°
- * Tray Dimensions:
30 cm x 30 cm
- 2 year warranty

Color: Silver Grey



work now
recycle later.

Workplace Wellness



Part Number
EGF 01482

www.ergonoflex.com

PRODUCT SPECIFICATIONS

Tilt Turn Universal Tray:

33 x 32 cm

Tilt 140°

Rotation 270°

Portrait Landscape 360°



Pole Bracket
Option
Warranty: 2 Years

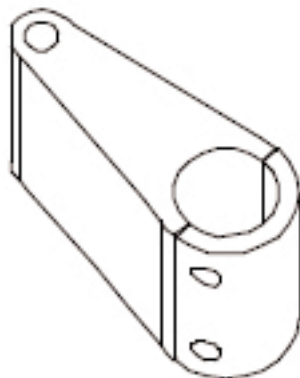


Pole Bracket

- * Pole Bracket
 - * Diameter 50 mm Pole
 - * Pole Bracket for mounting on a pole and with hole for mounting Arm Etc ..
 - 2 year warranty
- Color: Polished Aluminium



work now
recycle later.



Workplace Wellness

Part Number
EGF 01483

www.ergonoflex.com

PRODUCT SPECIFICATIONS

Pole Bracket
Diam 50 mm

Keyboard Tray
Option
Warranty: 2 Years

Keyboard Tray

* Adjustable
Keyboard Tray for
Keyboard and mouse

* Dimensions:
60 x 20 cm

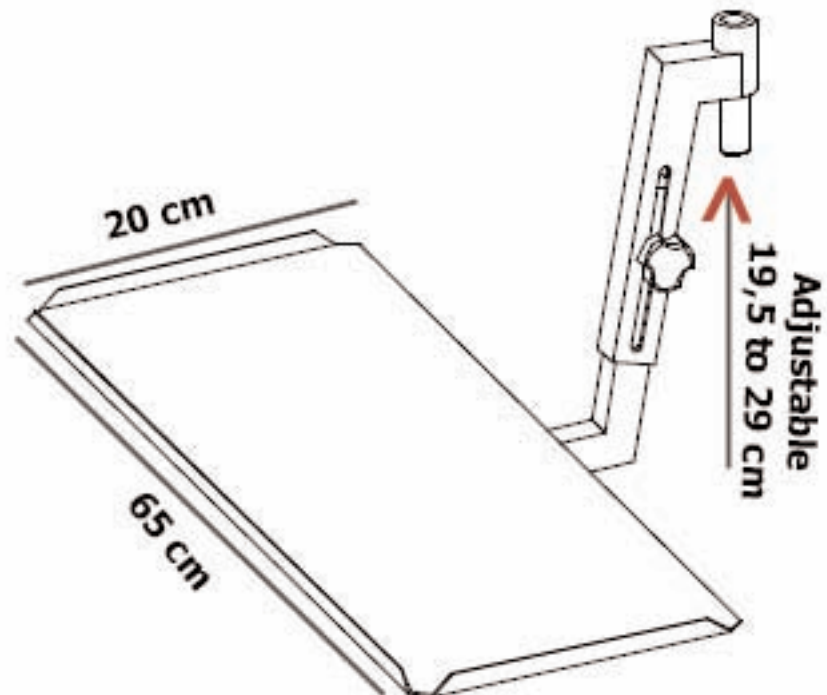
- 2 year warranty

Color: Silver Grey



work now
recycle later.

Workplace Wellness



Part Number
EGF 01484

www.ergonoflex.com

PRODUCT SPECIFICATIONS

keyboard Tray
60 x 20 cm / Adjustable Tray



Laptop Tray

* Laptop Tray for Notebook

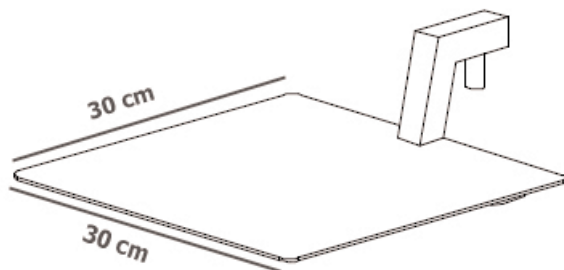
* Dimensions:
30 x 30 cm

• 2 year warranty

Color: Silver Grey



work now
recycle later.



PRODUCT SPECIFICATIONS

Laptop Tray
30 x 30 cm

Laptop Tray
Option
Warranty: 2 Years

Workplace Wellness

Part Number
EGF 01485

www.ergonoflex.com

Product Data Sheet



Vertical CPU Holder
Large Pole Mount
Load Capacity: 3,7 Kg
Warranty: 2 Years

Medical Vertical Large CPU Adjustable

Pole Mount

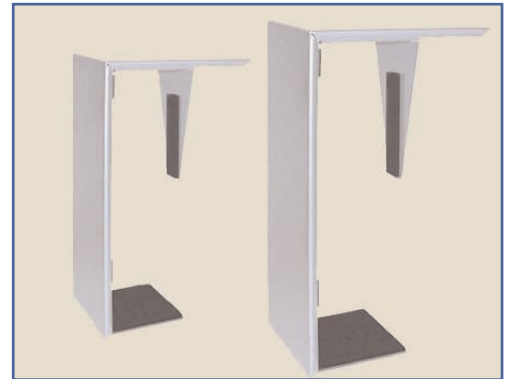
Mount your CPU to the pole with this
large CPU Holder.

Surprisingly Elegant,
Predictably Popular

Width adjustment : 90 - 250 mm

Height Adjustment: 300 600 mm

Weight: 3,7 Kg



work now
recycle later.

Workplace Wellness



Part Number
EGF 01486

www.ergonoflex.com

PRODUCT SPECIFICATIONS

Fixing: Pole Mount
Compatibility: Large CPU
Adjustable
Load Capacity: 3,7 Kg
Warranty: 5 Years



Medical Vertical Medium CPU Adjustable

Pole Mount

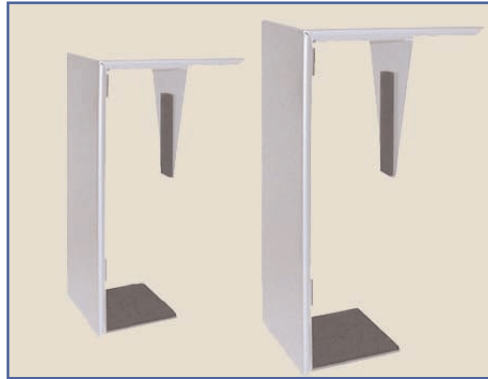
Mount your CPU to the pole with this large CPU Holder.

Surprisingly Elegant, Predictably Popular

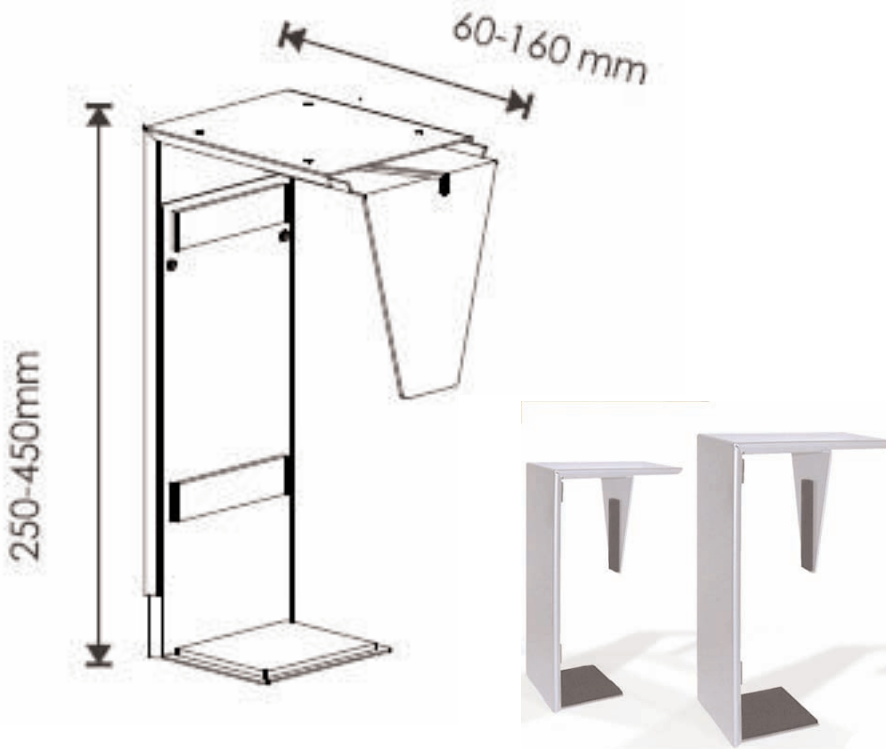
Width adjustment : 60 - 160 mm

Height Adjustment: 250 - 450 mm

Weight: 3,1 Kg



work now
recycle later.



PRODUCT SPECIFICATIONS

Fixing: Pole Mount
Compatibility: Medium CPU
Adjustable
Load Capacity: 3,1 Kg
Warranty: 5 Years

Product Data Sheet

Vertical CPU Holder
Medium Pole Mount
Load Capacity: 3,1 Kg
Warranty: 2 Years

Workplace Wellness

Part Number
EGF 01487

www.ergonoflex.com

Product Data Sheet



Vertical CPU Holder
Small Pole Mount
Load Capacity: 0,7 Kg
Warranty: 2 Years

Medical Vertical Small CPU Adjustable

Pole Mount

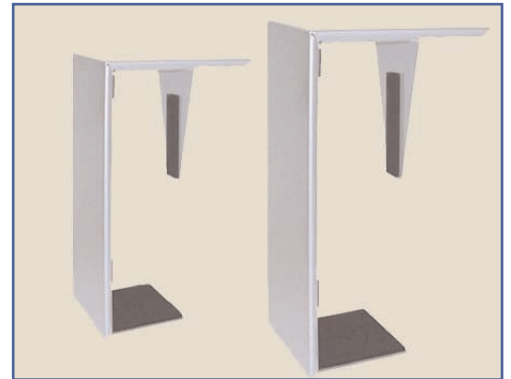
Mount your CPU to the pole with this large CPU Holder.

Surprisingly Elegant, Predictably Popular

Width adjustment : 30 - 100 mm

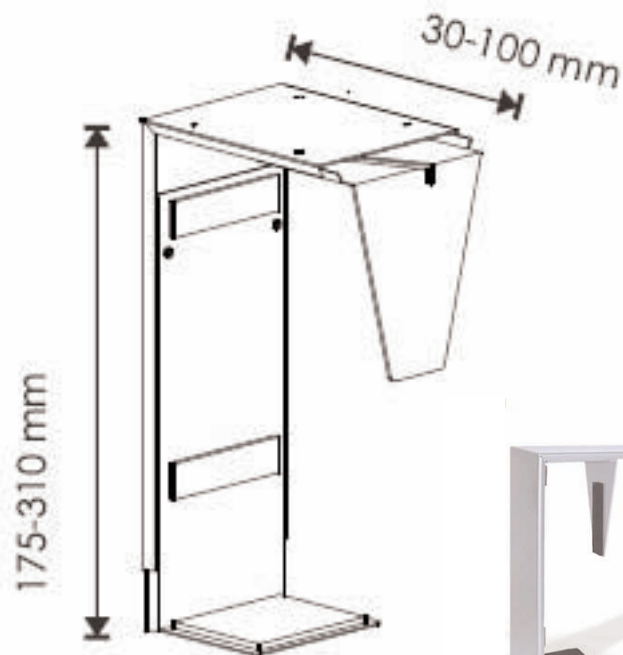
Height Adjustment: 175 - 310 mm

Weight: 0,7 Kg



work now
recycle later.

Workplace Wellness



Part Number
EGF 01488

www.ergonoflex.com

PRODUCT SPECIFICATIONS

Fixing: Pole Mount
Compatibility: Small CPU
Adjustable
Load Capacity: 0,7 Kg
Warranty: 5 Years

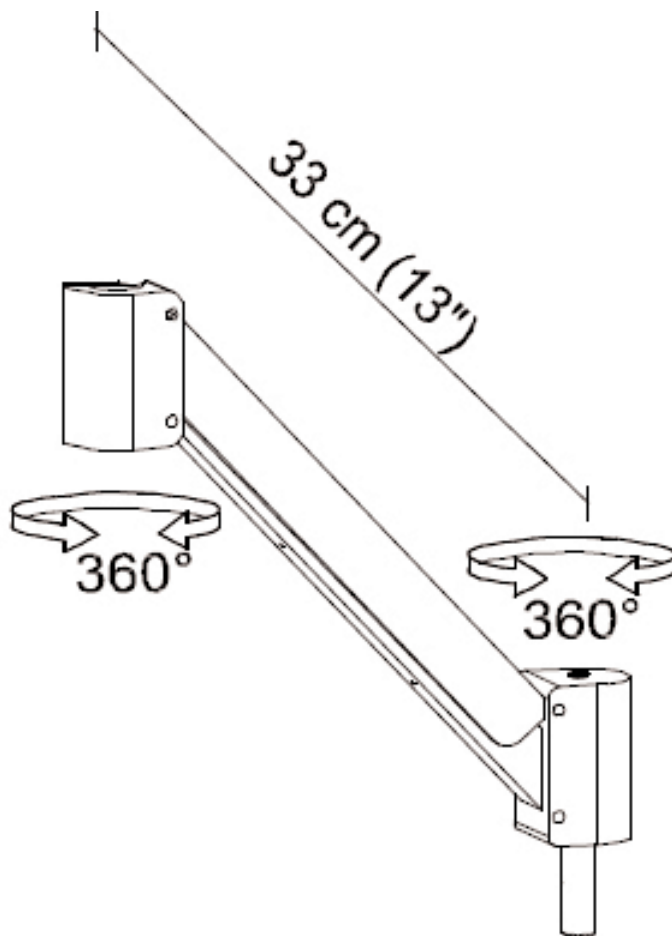


Adjustable Lift Arm

- * Adjustable Lift Arm
 - * Gas Assisted
 - * Weight Capacity: 6-14 Kg
 - 2 year warranty
- Color: Silver Grey



work now
recycle later.



PRODUCT SPECIFICATIONS

Adjustable Lift Arm
Weight Capacity: 6-14 Kg

Workplace Wellness

Part Number
EGF 01450

www.ergonoflex.com

Product Data Sheet



Extension Arm 1 pin
Option
Warranty: 2 Years

Extension Arm 1 pin

* Extension Arm
with 1 pin and 1 hole

* Dimension: 22 cm

• 2 year warranty

Color: Silver Grey



work now
recycle later.

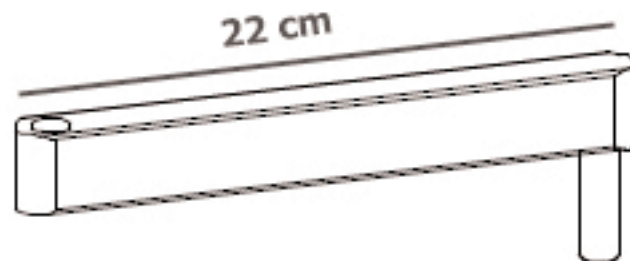
Workplace Wellness

Part Number
EGF 01490

www.ergonoflex.com

PRODUCT SPECIFICATIONS

Extension Arm with 1 pin, 1 hole
Dimension: 22 cm





Extension Arm 2 Holes



* Extension Arm with 2 Holes

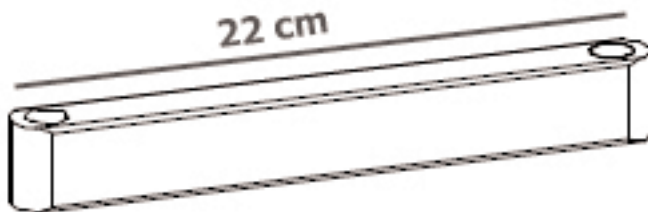
* Dimension: 22 cm

• 2 year warranty

Color: Silver Grey



work now
recycle later.



PRODUCT SPECIFICATIONS

Extension Arm with 2 holes

Dimension: 22 cm

Product Data Sheet

Extension Arm 2 holes
Option
Warranty: 2 Years

Workplace Wellness

Part Number
EGF 01491

www.ergonoflex.com

Product Data Sheet

Spacers for
Extension Arms
Option
Warranty: 2 Years



Spacers for extension Arms

* Spacers for joining 2 extension Arms

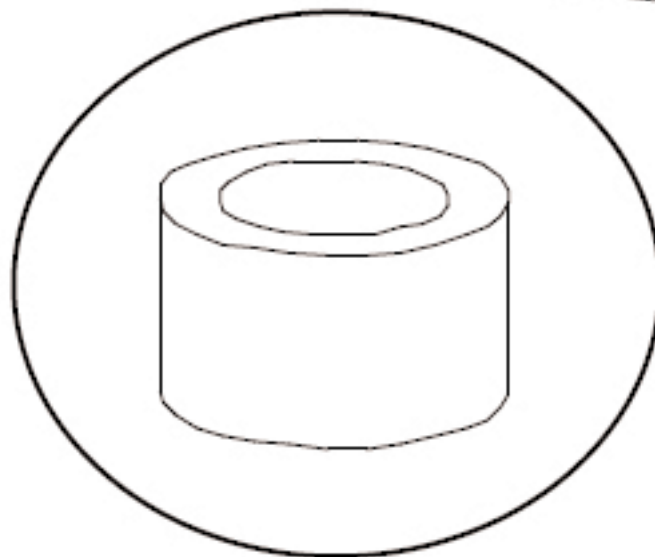
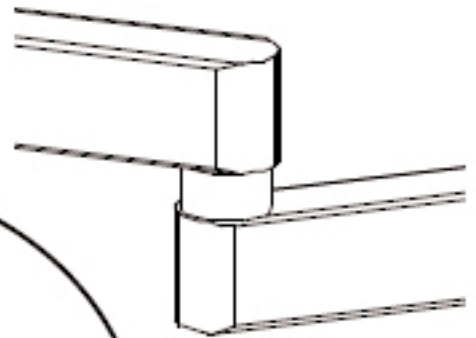
* Dimension: 22 cm

• 2 year warranty

Color: Silver Grey



work now
recycle later.



Part Number
EGF 01492

www.ergonoflex.com

PRODUCT SPECIFICATIONS

Spacers

For joining 2 extension arms



Dual Screens Adapter



* Dual Screens Adapter for mounting 2 Screens on Lift Gas Arm

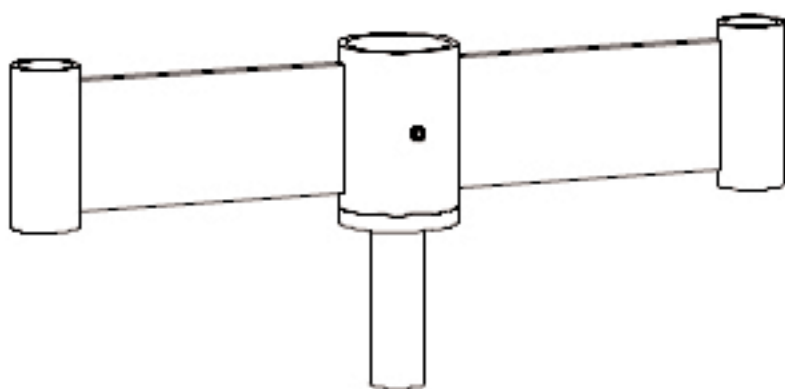
* Note: Requires 2 extension arms

• 2 year warranty

Color: Silver Grey



work now
recycle later.



PRODUCT SPECIFICATIONS

Dual Screens Adapter
For Mounting 2 Screens on Arm

Product Data Sheet

Dual Screens Adapter
Option
Warranty: 2 Years

Workplace Wellness

Part Number
EGF 01493

www.ergonoflex.com

Product Data Sheet



Pole Bracket Adapter
Option
Warranty: 2 Years

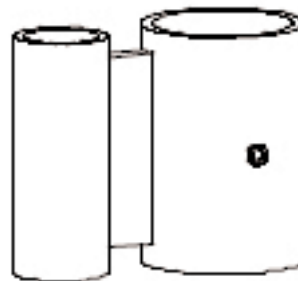
Pole Bracket

- * Pole Bracket
- * Diameter 50 mm Pole
- * Pole Bracket for mounting on a pole and with hole for mounting Arm Etc ..
- 2 year warranty

Color: Polished
Aluminium



work now
recycle later.



Workplace Wellness

Part Number
EGF 01494

www.ergonoflex.com

PRODUCT SPECIFICATIONS

Pole Adapter Screen Bracket
For Mounting one Screen to pole



Adapter Pole Dual Bracket



* Adapter Bracket for mounting E Screens to pole

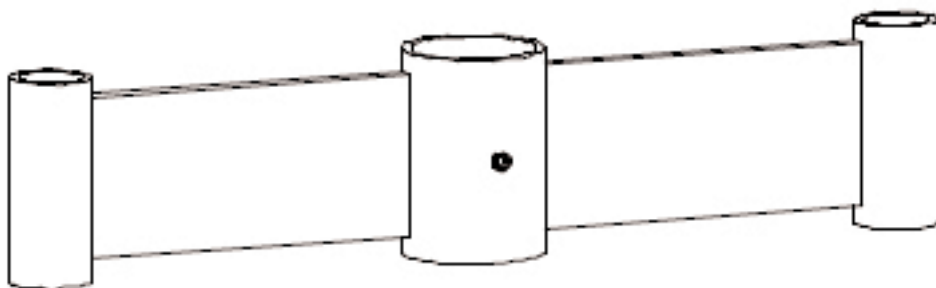
* Note: Requires 2 extension arms

• 2 year warranty

Color: Silver Grey



work now
recycle later.



PRODUCT SPECIFICATIONS

Adapter Pole Dual Bracket
For Mounting 2 Screens to pole

Product Data Sheet

Adapter Pole Dual Bracket
Option
Warranty: 2 Years

Workplace Wellness

Part Number
EGF 01495

www.ergonoflex.com

Product Data Sheet

Base Weight 10 Kg
Option
Warranty: 2 Years



Base Weight

- * Base Weight 10 Kg
- * Note: To mount end of base between casters
- * Mounting Kit Included
- 2 year warranty

Color: Silver Grey



work now
recycle later.



Workplace Wellness

Part Number
EGF 01496

www.ergonoflex.com

PRODUCT SPECIFICATIONS

Base Weight 10 Kg
For Mounting end of base



Base Weight

- * Base Weight 20 Kg
- * Note: To mount end of base between casters
- * Mounting Kit Included
- 2 year warranty
- Color: Silver Grey



work now
recycle later.



PRODUCT SPECIFICATIONS

Base Weight 20 Kg
For Mounting end of base

Product Data Sheet

Base Weight 20 Kg
Option
Warranty: 2 Years

Workplace Wellness

Part Number
EGF 01457

www.ergonoflex.com



VESA Adapter Plate
Option
Warranty: 2 Years

VESA Adapter Plate

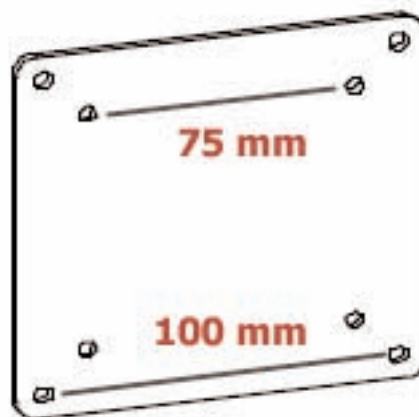
* VESA Adapter Plate to convert VESA
75 mm to VESA 100 mm

- 2 year warranty

Color: Silver Grey



work now
recycle later.



Workplace Wellness

Part Number
EGF 01458

www.ergonoflex.com

PRODUCT SPECIFICATIONS

VESA Adapter
Convert VESA 75 to 100 mm



CPU Holder Bracket

* CPU Holder Bracket for All CPU Holder Options

- 2 year warranty

Color: Silver Grey



work now
recycle later.



PRODUCT SPECIFICATIONS

CPU Holder Bracket
For all CPU Holder Options

Product Data Sheet

CPU Holder Bracket
Option
Warranty: 2 Years

Workplace Wellness

Part Number
EGF 01827

www.ergonoflex.com

Product Data Sheet

Medical Cart Option
Heavy Duty Casters
Warranty: 5 Years

Workplace Wellness

Part Number
EGF 01828

www.ergonoflex.com

Page 31



Heavy Duty Casters

- * Cover Polupropylene
 - * Traed: Thermoplastic Rubber
 - * Can be cleaning for a maximum hygiene
 - * Precision Ball Bearing
 - * 2 locking, 2 non locking Mounting:
 - * End of base
- Color:
- * Light Grey



PRODUCT SPECIFICATIONS

Mobile:
100 mm Heavy Duty Casters

Security:
2 locking Casters

Assembly:
No Assembly Required
Cart Ships Fully Assembled



Dual Heavy Duty Casters

- * Made of first class polyamide 6
- * Traed: Polyurethane
- * Can be cleaning for a maximum hygiene
- * 2 locking, 2 non locking
- * Precison Dual Ball Bearing

Mounting:

- * End of base

Color:

- * Black

Product Data Sheet

Medical Cart Option
Dual Heavy Duty Casters
Warranty: 5 Years

Workplace Wellness

PRODUCT SPECIFICATIONS

Mobile:

100 mm Dual Heavy Duty Casters

Security:

2 locking Casters

Assembly:

No Assembly Required

Cart Ships Fully Assembled

Part Number
EGF 01830

www.ergonoflex.com

The logo for ErgonoFlex, featuring the brand name in a blue, sans-serif font with a stylized orange and blue graphic element above the 'o' in 'Flex'.

Workplace Wellness

Combo Mobile
Workstation Carts
Solutions

www.ergonoflex.com